

WATCH CONVERGENT SYNERGY AND S-3 OWNER'S MANUAL





Wilson Audio® is a registered trademark of Wilson Audio Specialties, Inc.

Sophia®, WATT/Puppy®, Sasha W/P®, MAXX®, Duette®, X-1 Grand SLAMM®, and Alexandria® are registered trademarks of Wilson Audio Specialties, Inc.

Sabrina™, Alida™, Alexia™, WilsonGloss™, Wilson Audio Duette™, WATCH Center™, WATCH Surround™, and WATCH Dog™ are trademarks of Wilson Audio Specialties, Inc.

This manual was produced by the Wilson Audio Engineering and the Sales and Marketing Department. The information contained herein is subject to change without notice. Current Revision 1.0. If you are in need of a more recent manual, please contact your dealer or download one at www.wilsonaudio.com.

The information in this manual is the sole property of Wilson Audio Specialties, Inc. Any reproduction, in whole or in part, without the express written permission of Wilson Audio Specialties, Inc., is prohibited. No material contained herein may be transmitted in any form or by any means, electronic or mechanical, for any purpose, without the express written permission of Wilson Audio Specialties, Inc.

CONTENTS

WATCH CONVERGENT SYNERGY AND SERIES 3 OWNER’S MANUAL 1

SECTION 1 – INTRODUCTION 9

SECTION 1.1 – WATCH SYSTEM INTRODUCTION 11

DESIGN CONSIDERATIONS 12

CONVERGENT SYNERGY TWEETER 12

THE MIDRANGE/WOOFER DRIVER 13

ADJUSTABLE TWEETER MODULE 13

BAFFLE GEOMETRY AND ENCLOSURE MATERIALS 13

SECTION 2 – UNCRATING YOUR WATCH CENTER 15

SECTION 2.1 – UNCRATING THE WATCH CENTER CHANNEL 17

INITIAL CHECK 17

UNCRATING THE WATCH CENTER 17

SECTION 2.2 – CRATE CONTENT CHECKLIST 18

CENTER CHANNEL CRATE 18

CENTER STAND BOX 19

SECTION 3 – IN YOUR ROOM 21

SECTION 3.1 – THE WILSON AUDIO SETUP PROCEDURE 23

FINAL LISTENING ROOM SETUP (VOICING) 23

ZONE OF NEUTRALITY: MAIN LEFT AND RIGHT CHANNEL 23

SECTION 3.2 – ROOM ACOUSTICS 25

SLAP ECHO 25

STANDING WAVES 27

COMB FILTER EFFECT 29

SECTION 3.3 – RESONANCES 29

STRUCTURAL RESONANCE 30

VOLUME RESONANCE 30

SECTION 3.4 – YOUR ROOM 31

ROOM SHAPES 31

SPEAKER PLACEMENT VERSUS LISTENING POSITION 32

SPEAKER ORIENTATION 33

CENTER CHANNEL 33

SECTION 4 – INITIAL SETUP 35

SECTION 4.1 – FINAL SETUP 37

PREPARATION 37

SECTION 4.2 – CENTER CHANNEL SPIKES 37

ASSEMBLY 39

SECTION 4.3 – MEASURED LISTENING POSITION 39

ROOM SETUP 39

CENTER CHANNEL CONFIGURATIONS 40

SECTION 4.4 – SETUP #1 CENTER CHANNEL ON FLOOR 41

SECTION 4.5 – SETUP #2 CENTER CHANNEL ON STAND 43

SECTION 4.6 – SET UP #3 CENTER ON CUSTOM STAND OR SHELF 44

SECTION 4.7 – SETUP #4 CENTER MOUNTED TO CEILING 46

SECTION 4.8 – CENTER CHANNEL FINAL SETUP 49

STAND OR FLOOR MOUNTED CENTER CHANNEL 49

CEILING OR OTHER CUSTOM LOCATION 51

SECTION 4.9 – CONNECTING SPEAKER TO AMPLIFIER 52

SPEAKER CABLES 52

SPADE LUGS 53

CONNECTION OF THE CENTER TO THE POWER AMPLIFIER 53

CENTER CHANNEL SETUP COMPLETED 54

SECTION 5 – FINAL TUNING AND VOICING..... 55

SECTION 5.1 – FINAL TUNING AND VOICING 57

SECTION 5.2 – LEFT AND RIGHT CHANNELS 57

 DETERMINING FRONT TO BACK DISTANCE 58

 DETERMINING SIDE TO SIDE DISTANCE 59

SECTION 5.3 – INTEGRATING THE WATCH SYSTEM 60

 INTEGRATING THE WATCH CENTER 60

 IMAGE HEIGHT..... 61

 CENTER ROTATION 61

 RESETTING THE PROPAGATION DELAY CORRECTION (PDC) 62

 INTEGRATING THE WATCH SURROUND OR ALIDA 62

 INTEGRATING THE PASSIVE WATCH DOG 63

SECTION 6 – CARE OF THE FINISH..... 65

SECTION 6.1 – CARE OF THE FINISH 67

 DUSTING THE WATCH CENTER 67

 CARE OF THE GRILLS 67

 BREAK-IN PERIOD..... 68

SECTION 6.2 – ENCLOSURE TECHNOLOGY 68

 MATERIALS 68

 ADHESIVE 69

SECTION 6.3 – DEPTH OF DESIGN 69

SECTION 7 – TROUBLESHOOTING 71

SECTION 7.1 – TROUBLESHOOTING:..... 73

SECTION 8 – REPAIR PROCEDURES..... 77

SECTION 8.1 – REPAIR PROCEDURES 79

 REPLACING AN OPEN RESISTOR 79

REPLACING A BAD DRIVER 79

SECTION 9 – SPECIFICATIONS 81

SECTION 9.1 – WATCH CENTER CHANNEL SPECIFICATIONS 83

 DRIVERS: 83

 MEASUREMENTS: 83

 DIMENSIONS: 83

 WEIGHT UNCRATED:..... 83

 SHIPPING WEIGHT (APPROXIMATE): 83

SECTION 9.2 – CENTER SERIES 3 DIMENSIONS 84

SECTION 9.3 – CENTER SERIES 3 MATCHING STAND DIMENSIONS . 85

**SECTION 9.4 – CENTER SERIES 3 ON MATCHING STAND DIMENSIONS
..... 86**

**SECTION 9.5 – WATCH CONVERGENT SYNERGY IMPEDANCE CURVE
..... 87**

SECTION 9.6 – CENTER SERIES 3 IMPEDANCE CURVE 88

SECTION 10 – TWEETER ALIGNMENT TABLES 89

TABLE 1 – FOR PLACEMENT ON FLOOR (SERIES 3) 91

TABLE 2 – FOR PLACEMENT ON STAND (SERIES 3) 92

**TABLE 3 – FOR PLACEMENT ON THE FLOOR (CONVERGENT SYNERGY)
..... 93**

TABLE 4 – FOR PLACEMENT ON STAND (CONVERGENT SYNERGY)... 94

SECTION 11 – CEILING MOUNT..... 95

SECTION 11.1 – CEILING MOUNTED CENTER CHANNEL 97

SECTION 11.2 – MOUNTING CENTER CHANNEL ABOVE SCREEN 98

SECTION 12 – WARRANTY INFORMATION 101

SECTION 12.1 – WARRANTY INFORMATION 103

LIMITED WARRANTY 103

CONDITIONS 103

REMEDY..... 104

WARRANTY LIMITED TO ORIGINAL PURCHASER 104

DEMONSTRATION EQUIPMENT 105

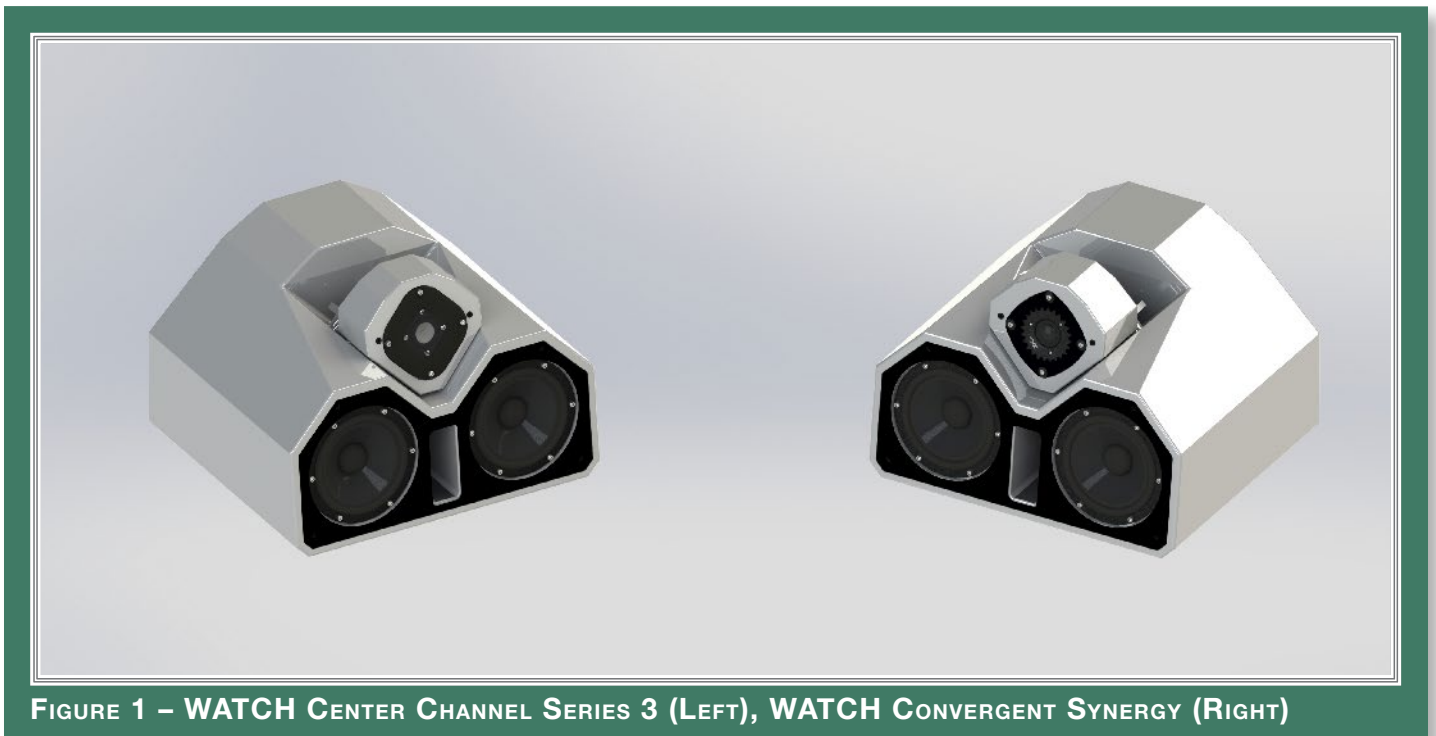
MISCELLANEOUS..... 105

SECTION 1 — INTRODUCTION



Section 1.1—WATCH System Introduction

The WATCH center comes in two complimentary versions. The WATCH Convergent Synergy is optimized for systems using Wilson's proprietary silk, soft-dome tweeter--the Convergent Synergy. The WATCH Center Series 3 uses the original inverted-dome titanium tweeter found most Wilson loudspeakers prior to the advent of the Convergent Synergy model in the Alexandria XLF. This owners' manual is applicable to both models. (See Figure 1)



While all Wilson speakers are designed to take full advantage of today's popular multi-channel formats, WATCH is the first Wilson system designed from the ground up to excel specifically at home theater performance. Best of all, depending on which other components are used, the WATCH System can fit both small or as large installations.

The fact is, you haven't truly experienced home theater until you've felt the impact, power, and passion of a film score the way the director intended it, and no company will deliver this passion like Wilson Audio.

Design Considerations

Reproducing the emotional impact of live music through two-channel reproduction has been the organizing passion of Wilson Audio since its inception over four decades ago. Applying the same experience and expertise to multi-channel theater systems was simply the natural extension of that passion. The WATCH® system [Wilson Audio Theater Comes Home] was born out of the recognition that the same factors that greatly enhance the emotional impact of music reproduction are applicable to motion-picture soundtracks.

Some interesting trials validate a counter-intuitive thesis: when viewers were asked to rate the impact of two different home theater systems—one with larger, better quality video, but with a middling sound system, and the second with a smaller screen but a state-of-the-art audio system—they invariably chose the latter system as the more emotionally involving.

The result would hardly surprise people who make movies. Since the advent of the “talkies,” filmmakers have realized that dialogue, music, and sound effects carry a disproportionate weight of the emotion in a motion picture.

Introducing the newest iteration of Wilson’s venerated center channel loudspeaker: the Convergent Synergy edition.

Convergent Synergy Tweeter

With the advent of the Sabrina, and the recent introduction of the Sasha Series 2, it became clear that a Convergent Synergy version of the WATCH center was needed. This version of the WATCH center is perfect for those systems that use the Sabrina, Sasha Series 2, or Alexia as the main left and right speakers. The Alexia version of the Convergent Synergy Tweeter is used. As found in the Mezzo and Polaris centers, the tweeter grill features a grill frame designed specifically to reduce diffraction and unwanted reflections.

The Midrange/Woofer Driver

The real magic of any loudspeaker happens in the midrange. Utilizing two of the legendary Wilson midrange drivers from Sasha Series 2, the WATCH Convergent Synergy offers levels of midrange dynamic speed and alacrity that are hallmarks of Wilson's floor-standing loudspeakers.

Adjustable Tweeter Module

Wilson center-channel loudspeakers have always been modular and adjustable in the time domain. The adjustable tweeter module facilitates precise time alignment between the center channel and the front stereo speakers, creating a completely coherent and three-dimensional sound field. With the sophisticated tweeter-module mounting hardware, these adjustments are achieved with precision and ease.

Baffle Geometry and Enclosure Materials

The WATCH Convergent Synergy's front baffle is angled upward at a nine-degree angle, whereas the ideal angle for the inverted-dome titanium tweeter version of the WATCH center is 15 degrees, both of which optimize the alignment of the tweeter to the listener.

Like all Wilson loudspeakers, the WATCH Convergent Synergy utilizes proprietary composites, chosen specifically to ideally suit the needs of that portion of the enclosure. The WATCH Convergent Synergy utilizes X-Material in both tweeter and woofer enclosures. S-material, Wilson's composite developed for its midrange beauty and veracity, is used in the mid-woofer baffle. Like in its floor-standing siblings, Wilson's composites, along with strategic bracing and reinforcement, reduce enclosure resonances and enhance settling characteristics, allowing for better microdynamics and deeper shades of black.

SECTION 2 — UNCRATING YOUR WATCH CENTER



Section 2.1—Uncrating the WATCH Center Channel

Note: To avoid damaging the Alexx's painted surface. Please remove any jewelry such as rings, watches, necklaces, and bracelets during this process.

Initial Check

The WATCH Center Channel is shipped in a wooden crate. If you have also purchased a Center stand, it is shipped in a separate cardboard box. Upon receiving the crate (and cardboard box), please check their condition. If there is any damage, please report it to the shipping company immediately for insurance verification.

The following items are recommended for this procedure:

- Supplied hardware kit
- Tape measure
- Known listening position
- Electric screwdriver
- Phillips head drive bit or Phillips head screwdriver

Uncrating the WATCH Center

Gently lift the Center channel out of the crate. Remove the plastic outer bag. Inventory the crate contents. Move the Center channel into the desired location.

Note: Do not cut the bag off of the Center channel. By using scissors or a knife, you could unintentionally damage the paint surface or a driving element. Keep the bag in case you need to repackage the Center channel. Likewise, save your shipping crates and all packing materials. They are specifically designed to prevent harm from coming to your WATCH Center.

Note: Be careful not to touch the driver elements when you are moving your Center

channel.

Section 2.2—Crate Content Checklist

Now that you have unpacked your WATCH Center Channel, you can inventory all the additional items in the crate.

Center Channel Crate

1—Owner's Manual

1—Warranty Registration (included in the manual)

1—Center Midrange Grill

1—Center Tweeter Grill

8—Nuts

4—Spikes

4—Aluminum Discs

4—Spacers

2—Diodes

1—Universal Allen Handle

1—1/2" Nut Driver

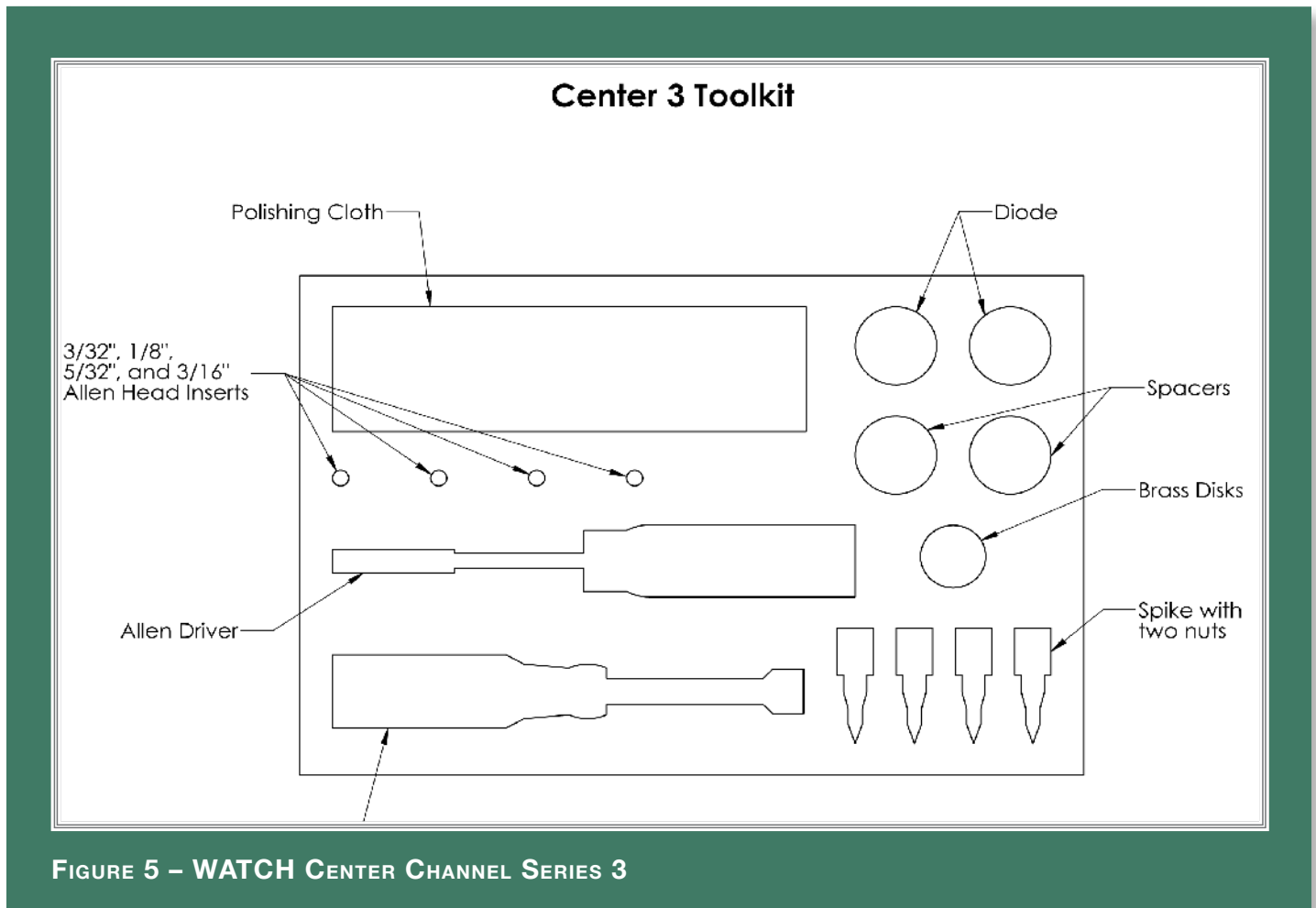
1—1/8" Allen Head

1—3/32" Allen Head

1—5/32" Allen Head

1—3/16" Allen Head

1—Blue Polishing Cloth



Center Stand Box

If you purchased a Wilson Audio Center Stand on which to mount your WATCH Center Channel, you will find the following items in the box with your stand:

4—3/8" - 16 x 1 1/2" Socket Head Cap Screws

4—3/8" x 7/8" Stainless Steel Flat Washers

1—3/16" Long Arm Allen Wrench

1—5/16" Long Arm Allen Wrench

1—Polishing Cloth

SECTION 3—IN YOUR ROOM



Section 3.1—The Wilson Audio Setup Procedure

You are surely excited about setting up your Center Series 3 and doing some listening, but before you begin, we would like to discuss some of the important room acoustical information that will help you set up your loudspeakers properly.

Final Listening Room Setup (Voicing)

For Center Series 3's size and single-module configuration, it is unmatched in its ability to reproduce the musical event. However, room acoustics and boundary interactions affect the sound of a loudspeaker to such a large degree that poor setup can seriously degrade your enjoyment of even the finest loudspeaker.

Therefore, we offer the following section, which will present some guidelines on room acoustics and their interactions with loudspeakers. While we will also outline some detailed suggestions on the setup of the Center Series 3, we strongly suggest that you have your local Wilson Audio dealer perform the final speaker "voicing" with you. Wilson dealers are specially trained in setting up Wilson loudspeakers and will ensure that you realize the full value of your purchase. What follows is an outline of the Wilson Audio Setup Procedure (WASP). When carefully followed, the process has proven to be the most effective method for setting up Wilson loudspeakers.

Zone of Neutrality: Main Left and Right Channel

The "Zone of Neutrality" is an area in your room where the speakers will sound most natural. This location is where the speakers interact the least with adjacent room boundaries. It is important to have a clear working space while determining the Zone of Neutrality.

The following is a simple method to locate the Zone of Neutrality within your listening environment:

1. Stand against the wall BEHIND the location where you intend to position your loudspeakers. Speaking in a moderately loud voice and at a constant

volume, project your voice out into the room. Your voice will have an overly heavy, “chesty” quality because of your proximity to the rear wall.

2. While speaking, slowly move out into the room, progressing in a direction parallel to the sidewall. It is helpful to have another listener seated in the listening position to assist you during this process. Listen to how your voice “frees up” from the added bass energy imparted by the rear wall boundary. Also notice that your voice is quite spatially diffuse (to your assistant, your voice will sound spatially large and difficult to localize) as you begin to ease away from the rear wall.
3. At some point during your progression forward into the room, you will observe a sonic transition in your voice; it will sound more tonally correct and less spatially diffuse (your assistant can now precisely localize the exact origin of your voice). When you hear this transition, you have entered the inner edge of the Zone of Neutrality. Place a piece of tape on the floor to mark this location. Although it will vary from room to room, in most rooms the zone begins between two and a half to three feet from the rear wall.
4. Continue to walk slowly away from the rear wall. After some distance, usually one to two feet past the first piece of tape, you will begin to hear your voice lose focus and appear to reflect (echo) in front of you. This is caused by the return of the room’s boundary contribution; your voice is now interacting with the opposite wall. At the point where you begin to hear the reflected sound of your voice, you have reached the outer edge of the Zone of Neutrality. Place a piece of tape on the floor and mark this location. The distance between the “inner” and “outer” edge tape marks is usually between eight inches (for small, interactive rooms) and three feet (for large, more neutral rooms).
5. Now position yourself against the side wall perpendicular to the intended speaker location. Stand between the two tape marks. Using the same procedure as above, begin moving into the room toward the opposite sidewall, progressing between the two pieces of tape. As above, listen for the point in the room where your voice transitions from bass-heavy and diffuse to neutral. Mark this point with tape. Continue your progression until there is an

obvious interaction with the opposite wall in front of you and mark this point with tape. The four pieces of tape now form a rectangle that establishes the Zone of Neutrality for the loudspeaker located on that side of the room. Using the four marks as your guide, tape an outline to define the boundaries of the rectangle.

6. Repeat this process for each speaker location individually. These are your Zones of Neutrality, one for each channel.

Theoretically, the Zone of Neutrality for any room runs like a path, parallel to the walls all around the room. Adjacent to very large windows and open doors, the outer edge of the Zone of Neutrality moves closer to the wall and becomes wider. If you were to extend the inner and outer boundaries of the Zone for the sidewalls and the front wall (behind the speakers), they would intersect. After you complete this procedure for the other loudspeaker, you will now have two rectangles, one on the floor on either side of the room.

Section 3.2—Room Acoustics

Note: The following section contains general information on room acoustics and loudspeaker/room interaction. The concepts outlined below are equally relevant when dealing with multi-channel audio or home theater. The careful application of these concepts, as you evaluate the acoustical characteristics of your own room configuration, will allow you to optimize the performance of your Center Series 3.

Slap Echo

Probably the most obnoxious form of reflection is called “slap echo.” With slap-echo, primarily midrange and high frequency sounds reflect off of two parallel hard surfaces. The sound literally reverberates back and forth until it is finally dissipated over time. You can test for slap echo in any room by clapping your hands sharply in the middle of the room and listening for the characteristic sound of the echo in the midrange. Slap echo destroys the sound quality of a stereo system in two ways:

It adds harshness to the upper midrange and treble by storing time-domain smearing energy.

It destroys the delicate phase relationships, which help to establish an accurate soundstage.

Slap echo (see Figure 2) is a common acoustical problem in the typical domestic listening room because most of these rooms have walls with a hard, reflective nature, only occasionally interrupted by curtains, wall art, or drapes. The best (but least practical) solution to eliminate slap echo is nonparallel walls. This is because, rather than support slap-echo, nonparallel walls allow the sound to diffuse. This approach can be accounted for during the construction process. For existing rooms, slap echo can also be controlled entirely by the application of absorptive materials to the hard surfaces. These are absorp-

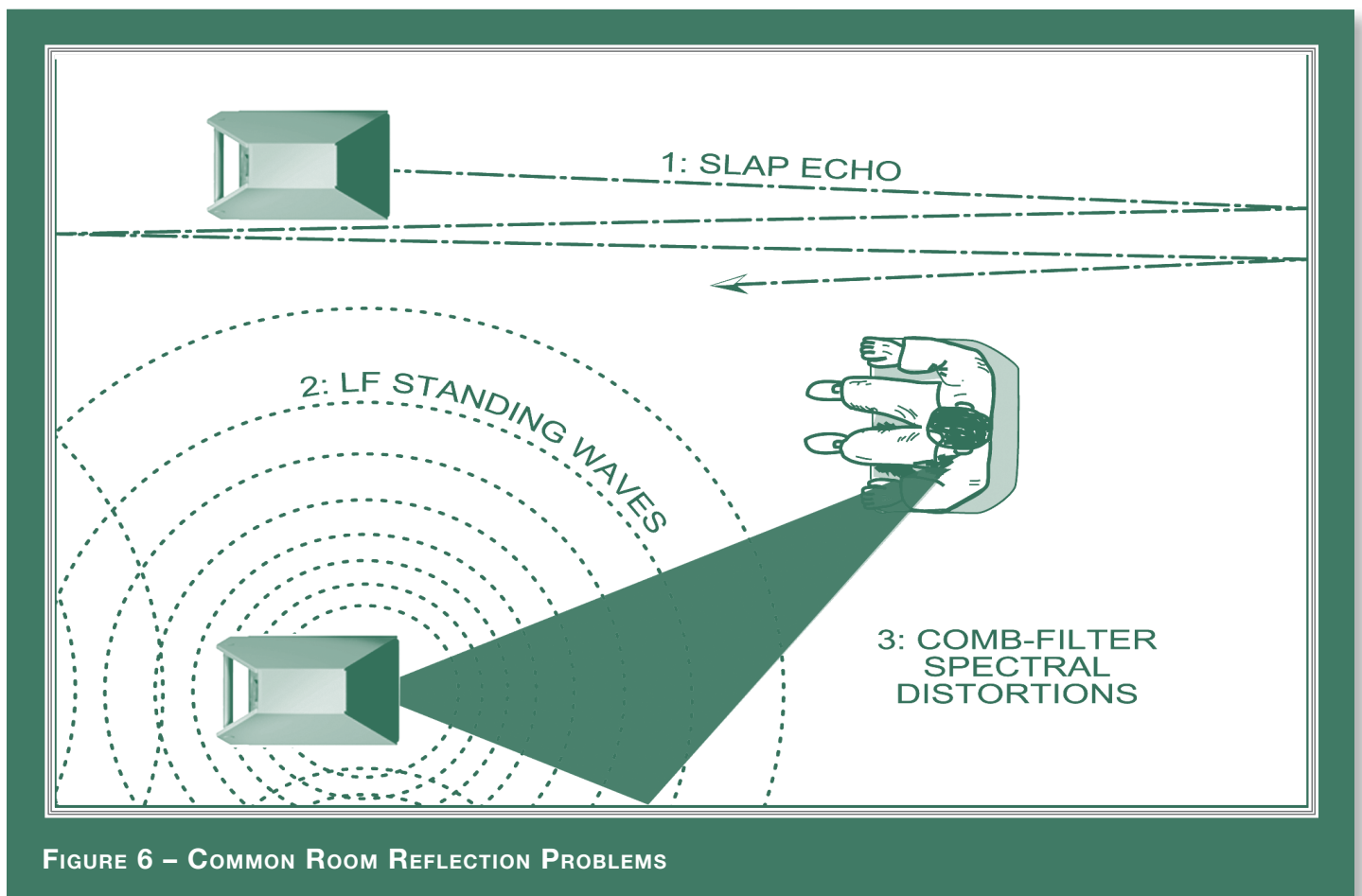


FIGURE 6 – COMMON ROOM REFLECTION PROBLEMS

tive materials that can be used to ameliorate slap echo:

Illbruck Sonex®

Air duct board

Large ceiling to floor drapes

Carpeting to wall surfaces

In many domestic listening environments, heavy stuffed furnishings reduce slap echo somewhat. Unfortunately, their effectiveness is not predictable. Diffusers are sometimes also used to very good subjective effect, particularly in quite large rooms. Sound absorbent materials such as described above will alter the tonal characteristic of the room by making it sound “deader,” less “bright and alive,” and “quieter.” These changes usually make the room more pleasant for conversation, but sometimes render it too dull in the high frequencies to be musically involving. Soundtrack effects will be more localized. However, over-damping the room skews the tonal balance unnaturally toward the bass, and also compresses dynamics, robbing the system of musical life excitement.

Diffusers, on the other hand, do not affect the tonal balance characteristic of the room as much. Placed properly, diffusers create a smoother and more open sound. Some diffusers, due to their construction, create narrow midrange peaks and suck out the warmth region. Do not use diffusers on the wall behind the speakers or on the sidewalls directly beside the speakers. It is our experience that all of these room treatment devices should be used judiciously.

Standing Waves

Another type of reflection phenomenon is “standing waves.” Standing waves cause the unnatural boosting or accentuation of certain frequencies, typically in the bass, to be

found at certain discreet locations in the room. These locations differ according to room dimension and size. A room generating severe standing waves creates difficulty in setup. In these rooms, the speaker will sound radically different as it is moved around. The effects of standing waves on a loudspeaker's performance are primarily in the areas listed.

Tonal balance

Resolution of low-level detail

Soundstaging

Standing waves are more difficult to correct than slap echo because they tend to occur at a lower frequency. Absorbent materials, such as Illbruck Sonex®, are ineffective at controlling reflections in the bass region. Moving speakers about slightly in the room is, for most people, their only control over standing waves. Sometimes a change of placement of as little as two or three inches can dramatically alter the tonal balance of a small system.

Fortunately, minor low frequency standing waves are well controlled by positioning ASC Tube Traps™ in the corners of the room. Very serious low frequency accentuation usually requires a custom-designed bass trap system.

Low frequency standing waves can be particularly troublesome in rooms constructed of concrete or brick. These materials trap the bass in the room unless it is allowed to leak out of the room through windows and doors.

In general, placement of the speaker in a corner will excite the maximal number of standing waves in a room and is to be avoided for most direct radiator, full-range loudspeaker systems. Some benefit is achieved by placing the stereo pair of loudspeakers slightly asymmetrically in the listening room. This is so the standing waves caused by the distance between one speaker and its adjacent walls and floors are not the same as the standing wave frequencies excited by the dimensions in the other channel.

Comb Filter Effect

The “comb filter” effect is a special type of standing wave noticeable primarily at higher frequencies and shorter wavelengths.

Acoustical comb filtering occurs when sound from a single source, such as a loudspeaker, is directed toward a microphone or listener from a distance. The first sound to reach the microphone is the direct sound, followed by a delayed, reflected sound. At certain frequencies, cancellation occurs because the reflected sound lags in phase relative to the direct sound. This cancellation is most apparent where the two frequencies are 180 degrees out of phase. Further, there is augmentation at other frequencies where the direct and the reflected sounds arrive in phase. Because it is a function of wavelength, the comb filter effect will notch out portions of the audio spectrum at linearly spaced intervals. Subjectively, comb filter effect evidences itself as follows:

Added roughness to the sound

Reduction of harmonic richness

Smearing of lateral soundstage image focus and placement

Comb filter effects are often caused by side wall reflections. They are best controlled by very careful speaker placement and by the judicious placement of Illbruck Sonex® or air duct panels applied to that part of the wall where the reflection occurs.

Section 3.3—Resonances

Resonance in listening rooms is generally caused by two sources:

Structures within the listening room.

The volume of air itself within the listening room.

Structural Resonance

Structural resonances are familiar to most people as buzzes and rattles, but this type of resonance usually only occurs at extremely high volume levels and is usually masked by the music. In many wood frame rooms the most common type of structural resonance problem is “booming” of walls and floors. You can test for these very easily by tapping the wall with the palm of your hand or stomping on the floor. Most rooms exhibit mid-bass “boom” when struck. The loudspeaker playing in the room also excites these resonances. To give you an idea of what the perfect wall would sound like, imagine rapping your hand against the side of a mountain. Structural wall resonances generally occur in the low to mid-bass frequencies and add a false fullness to the tonal balance. They, too, are more prominent at louder levels, but their contribution to the sound of the speaker is more progressive. Rattling windows, picture frames, lamp shades, etc., can generally be silenced with small pieces of caulk or with blocks of felt. However, short of actually adding additional layers of sheet rock to flimsy walls, there is little that can be done to eliminate wall resonances.

Volume Resonance

The physical dimensions and volume of air in a room will also support standing wave modes and resonances at frequencies determined by the size of that room. Larger rooms will resonate at a lower frequency and have more complex (better) modal distributions than will smaller rooms. Volume resonances, wall panel resonances, and low frequency standing waves combine to form a low frequency coloration in the sound. At its worst, it is a grossly exaggerated fullness, which tends to obscure detail and distort the natural tonal balance of the speaker system.

Occasionally, however, there is just enough resonance to give a little added warmth to the sound – an addition some listeners prefer. Careful placement of loudspeakers in the room can dramatically reduce the speakers’ destructive interaction with low frequency modes. ASC Tube Traps™ are effective in reducing some of this low frequency room col-

oration. Custom designed bass traps, such as perforated Helmholtz resonators, provide the greatest degree of low frequency control.

Section 3.4—Your Room

Room Shapes

Standing waves are pressure waves propagated by the interaction of sound and opposing parallel walls. This interaction creates patterns of low and high acoustical pressure zones that accentuate and attenuate particular frequencies. Those frequencies are dependent on room size and dimension.

There are three basic shapes for most rooms: square, rectangular, and L-shaped (see Figure 3).

A perfectly square room is the most difficult room in which to set up speakers. By virtue of its shape, a square room is the perfect medium for building and sustaining standing waves. These rooms heavily influence the music played by loudspeakers, greatly diminishing the listening experience.

Long, narrow, rectangular rooms also pose their own special acoustical problems for speaker setup. They have the ability to create several standing wave nodes, which will have different standing wave frequency exaggerations depending on where you are sitting. Additionally, these long rooms are often quite lean in the bass near the center of the room. Rectangular rooms are still preferred to square rooms because, by having two sets of dissimilar length walls, standing waves are not as strongly reinforced and will dissipate more quickly than in a square room. In these rooms, the preferred speaker position for spatial placement and midrange resolution would be on the longer walls. Bass response would be reinforced by speaker placement on the short walls.

In many cases, L-shaped rooms (see Figure 3) offer the best environment for speaker setup. Ideally, speakers should be set up along the primary (longest) leg of the room. They

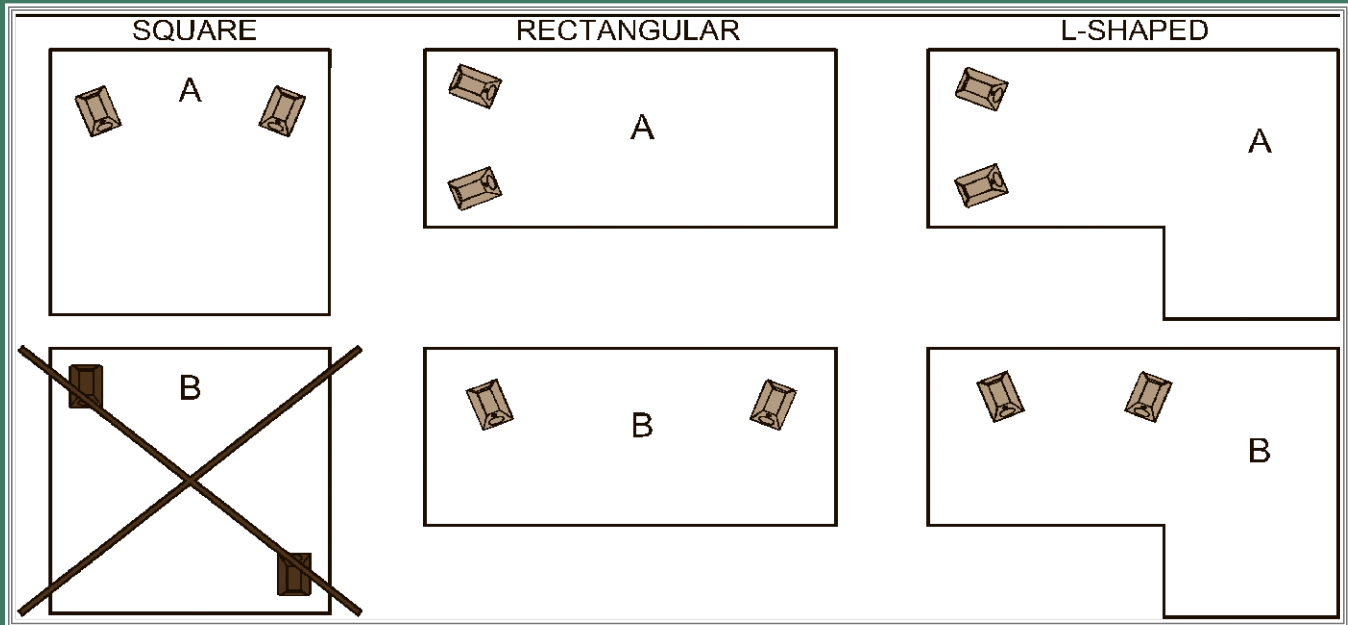


FIGURE 3 – POSSIBLE LOUDSPEAKER PLACEMENT WITHIN VARIOUS ROOM SHAPES

should fire from the end of the leg (short wall) toward the L, or they should be along the longest wall. In this way, both speakers are firing the same distance to the back wall. The asymmetry of the walls in L-shaped rooms resists the buildup of standing waves (see Figure 3).

Speaker Placement Versus Listening Position

The location of your listening position is as important as the careful setup of your Wilson Audio loudspeakers. The listening position should ideally be no more than 1.1 to 1.25 times the distance between the tweeters on each speaker. Therefore, in a long, rectangular room of 12' x 18', if the speaker tweeters are going to be 9' apart, you should be sitting 9'11" to 11'3" from the speaker. This would be more than halfway down the long axis of the room.

Many people place the speakers on one end and sit at the other end of the room. This approach will not yield the finest sound. Carefully consider your listening position. Our experience has shown that any listening position that places your head closer than 14"

from a room boundary will diminish the sonic results of your listening.

Speaker Orientation

Speaker placement and orientation are two of the most important considerations in obtaining superior sound. The first thing you need to do is eliminate the sidewalls as a sonic influence in your system. Speakers placed too close to the sidewalls will suffer from a strong primary reflection. This can cause out-of-phase cancellations, or comb filtering, which will cancel some frequencies and change the tonal balance of the music. The Wilson Audio Setup Procedure (Section 3) is the best method with which to position your loudspeakers. Start with the speakers about 18" from each wall (as measured from the rear of the enclosure) and, if you need to move them relative to the side wall, move them away from the wall, not closer.

A very important aspect of speaker placement is how far from the back wall to place the speakers. The closer a loudspeaker is to the back wall, the more pronounced the low bass energy and centering of the image will be. However, this comes at a definite reduction in stage size and bloom as well as a deterioration of upper bass quality. You must find the proper balance of these two factors, but remember, if you are partial to bass response or air and bloom, do not overcompensate your adjustments to maximize these effects. Overcompensated systems are sometimes pleasing in the short-term, but long-term satisfaction is always achieved through proper balance.

Center Channel

After determining the general area for the Left and Right channels, determine the best place for your Center channel. The following center channel configurations are possible:

- On the floor with the speaker angled up towards the listener.
- Mounted on a stand with no upward rotation.

- Mounted on a stand with longer spikes in the front of the stand and shorter spikes in the back, allowing the stand and speaker to be rotated up toward the listener.
- Mounted upside down on the ceiling above the screen, angled down towards the listener.

With the exception of Center channels mounted on the ceiling, each of these options allow for some fine-tuning of the Center channel placement. If you are mounting the Center channel on the ceiling, be sure to choose the location carefully as, except for the tweeter adjustment, you will not be able to easily adjust the Center once it is mounted. A poor placement of the Center channel will hamper its integration with the rest of the system. As a general rule, the distance from the main Left and Right channels, as well as the Center channel (as measured from the tweeters) should be equal in their relationship to the listening position. This maintains the time coherence of the three front loudspeakers. Ultimately, the Center channel phase delay correction will be made via the sliding tweeter module.

Wilson recommends that the Center channel be positioned as centrally between the Left and Right speakers as possible. Using the Wilson Audio Setup Procedure, experiment with the fore to aft placement of the Center channel. This process will help you find the location that offers the smoothest left, right, and center channel integration.

SECTION 4—INITIAL SETUP



Note: Before setting up the WATCH Center Series 3 or WATCH Convergent Synergy, study carefully Section 3, “In Your Room.” It provides valuable information on determining the ideal room location for your speakers.

Section 4.1—Final Setup

Preparation

You will need the following items:

- Supplied hardware kit
- Tape measure
- Known listening position

Your dealer is trained in the art and science of the Wilson Audio Setup Procedure (WASP) outlined in Section 3, and Wilson Audio recommends dealer installation of your new loudspeaker.

Section 4.2—Center Channel Spikes

The Center channel comes with 2 sets of spikes with a nut, a diode and spacers, and two sets of spikes with only the spike and nut. This will allow the speaker to be tilted to a variety of angles. These spikes also provide acoustical isolation as well as optimal height placement for your speakers. There are three ways of assembling the spikes (without diodes, without spacers, or with one or two spacers), and your choice will depend on the location of the Center channel and personal tastes. While the Center Series 3 baffle is designed to angle upward toward the listener, the spacers are provided to allow for additional rotation of the Center, such as for installations where the listening position is close to the loudspeakers. If the speaker is floor mounted, additional upward tilt may be desirable so the drivers are firing towards the listener. If the speaker is mounted above the listening ear

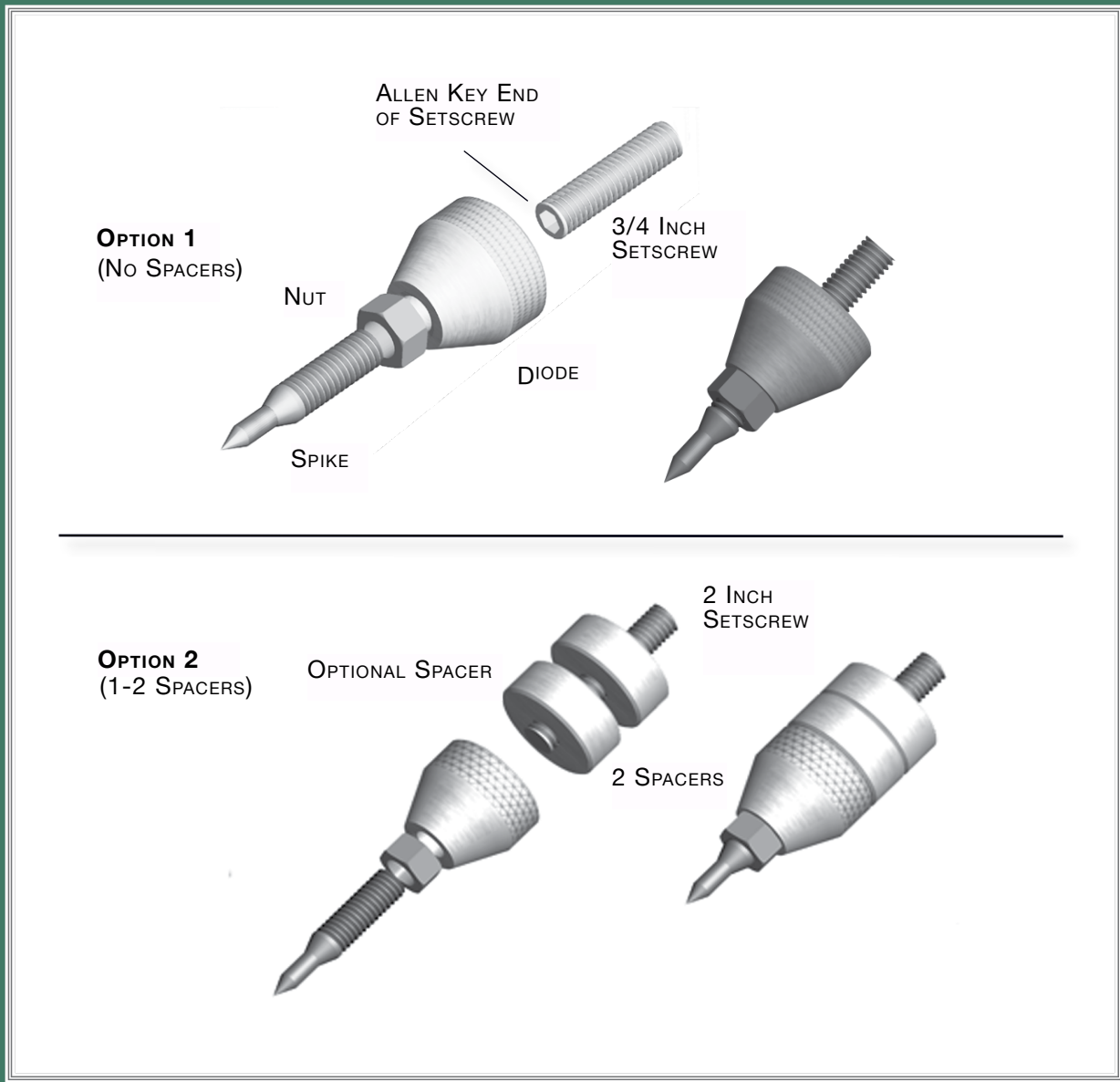


FIGURE 4 – CENTER CHANNEL SPIKES ASSEMBLY DIAGRAM

height, it will need to be raised more in the back so the speaker is firing down toward the listener.

After determining the required rotation for the Center channel, Sections 10, assemble the spikes as follows:

Assembly

1. Back out the setscrews on the bottom of the enclosure to the desired height (see Figure 9) . Make sure the Allen key end is accessible.
2. If required, place the corresponding number of spacer discs over the bolt.
3. Screw the acoustical diode onto the bolt until it is roughly halfway into the diode.
4. Screw the spike (with nut) all the way in until it just touches the bolt. Do not tighten the nut at this time.
5. Repeat steps 1—4 with the other spikes.

Section 4.3—Measured Listening Position

Room Setup

The Center channel allows for different listening distances (away from the speakers) and listening ear heights (measured distances from the floor up to your ear); see Figure 8 below. Propagation Delay Correction accuracy of the Center channel has been established and verified at Wilson Audio’s R&D laboratory. The tables outlining the settings for adjustments are in Section 10 of this owner’s manual. The correction tables used in this section are a result of this testing. For each distance/ear height combination there is a unique alignment geometry. To make correct in-home setup of the Center channel possible without test equipment, Wilson Audio has measured the correct geometric PDC (phase delay correction) alignment for different distance/ear height combinations. By measuring the ear height and the distance from the speaker to the listening position, you will be able to align the system for your listening position.

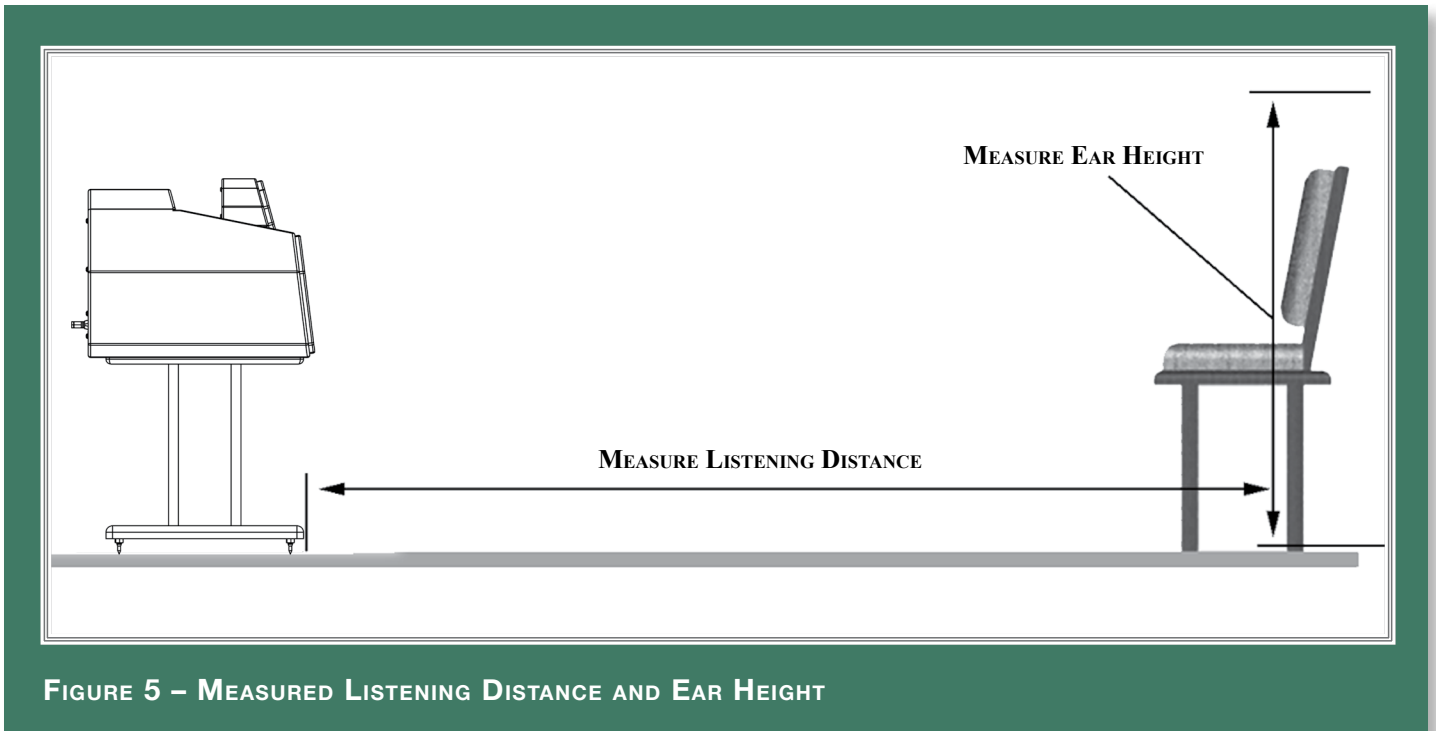


FIGURE 5 – MEASURED LISTENING DISTANCE AND EAR HEIGHT

Center Channel Configurations

The WATCH Center Channel has been designed to accommodate most any mounting location. These locations, in order of preferred location, are as follows:

- #1 Center Channel on Stand (Recommended Location)
- #2 Center Channel on Floor
- #3 Center Channel on Custom Stand or Shelf
- #4 Center Channel on Ceiling

The Center Channel crossover has been optimized for use with the Center stand. This is the preferred location. When you mount the Center channel in most other locations you will begin to see more boundary interactions, which may alter the performance of your the speaker. Nevertheless, the Center channel will certainly out-perform any other Center channel placed in a given location.

Placing the WATCH Center Series 3 or the WATCH Convergent Synergy in any location other than on the Wilson Audio WATCH Center stand will require the Center channel

to be rotated towards the listening position. This will allow the Center channel to take advantage of the propagation delay correction technology (PDC). Simply placing the Center in a location without following the directions below will hinder the performance of the Center channel. With the correct PDC you will find the vocals and dialogue more realistic and satisfying. As with any component in your system that offers increased resolution and detail, a careful setup is required.

There are four different setup procedures depending on your Center channel location. The possible Center channel configurations are as follows:

Section 4.4—Setup #1 Center Channel on Floor

Section 4.5—Setup #2 Center Channel on Stand

Section 4.6—Setup #3 Center Channel on Custom Stand or Shelf

Section 4.7—Setup #4 Center Channel on Ceiling

Please proceed to the indicated section for your particular installation for detailed setup instructions.

Section 4.4—Setup #1 Center Channel on Floor

The floor mounted Center channel must be rotated up toward the listening position. This is done by using a taller spike in the front than in the back of the speaker (see Figure 9). The default rotation is set by using a combination of a spike, nut, and a diode. If required, additional rotation can be achieved by using the provided 1/2" spacers between the diode and the bottom of the cabinet (see Figure 4). The amount of rotation depends on your listening position.

Set the rotation as follows:

1. Using provided 3/16 Allen wrench, remove the back two setscrews from the bottom of the Center channel. Insert the spike with nut in their place. Turn to Section 10, table 1, locate your listening position on the table.

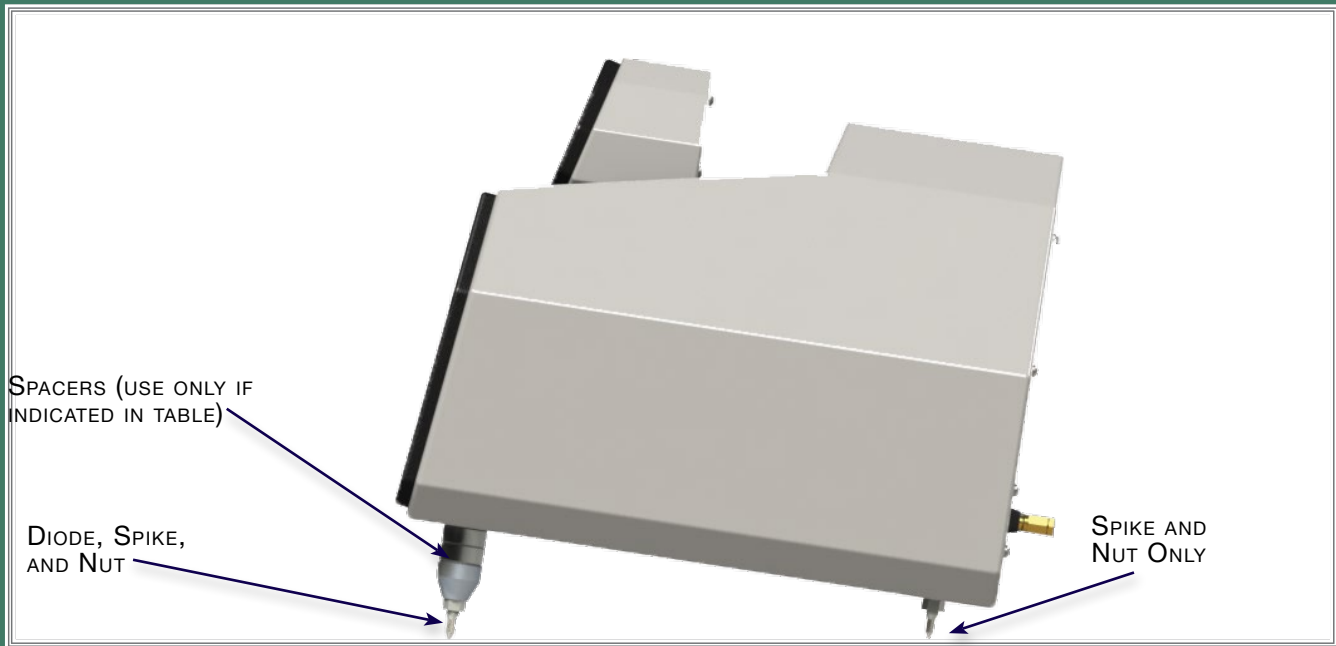


FIGURE 6 – INSTALLING THE CENTER CHANNEL SPIKES

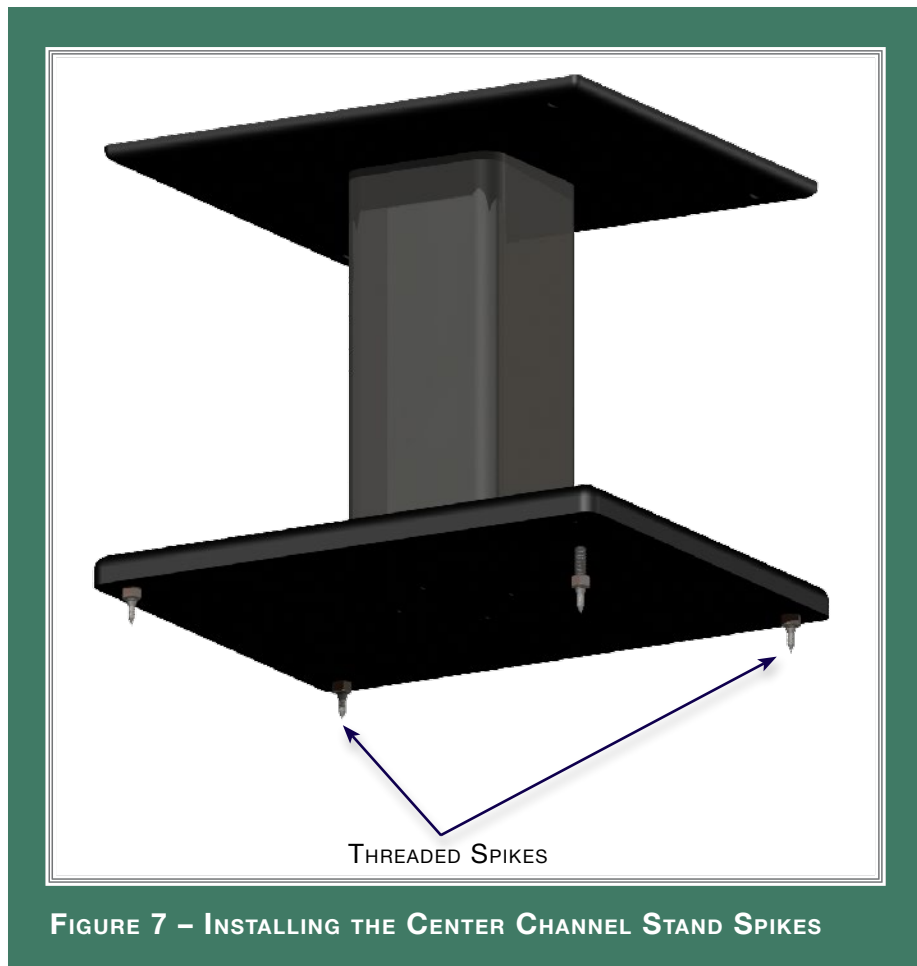
2. Assemble the front spikes with the listed diode/spacer combination in Table 1 (see also Figure 7).
3. Install the spikes as shown in Figure 6 above.

Note: The material used for the bottom of the Center channel is Wilson's proprietary high density composite X-material. While very hard, X-material is easily cross threaded when installing the spikes. Be careful that the spike thread is engaging properly into the bottom.

4. Carefully lift the Center channel into the desired location and set it down.

Note: 4 small brass disks have been provided for use as spike pads. Place these under the spikes to protect the finish of your floors.

5. Turn to Section 4.8 for final assembly instructions.



Section 4.5—Setup #2 Center Channel on Stand

1. Set the stand in the desired listening location.
2. Attach the spikes to the bottom of the stand by screwing the spike and nut combination until the nut is flush with the bottom (See Figure 7).

Note: Do not tighten the nut at this time. Wait until the fine-tuning has been completed for the entire system and the speaker has been leveled.

Note: Four small aluminum disks have been provided for use as spike pads. Place these under the spikes to protect the finish of your floors.

3. Using provided 3/16 Allen wrench, remove the 4 setscrews from the bottom of the Center channel. Keep these as they are the setscrews needed to assemble your spikes and may be required during final setup.

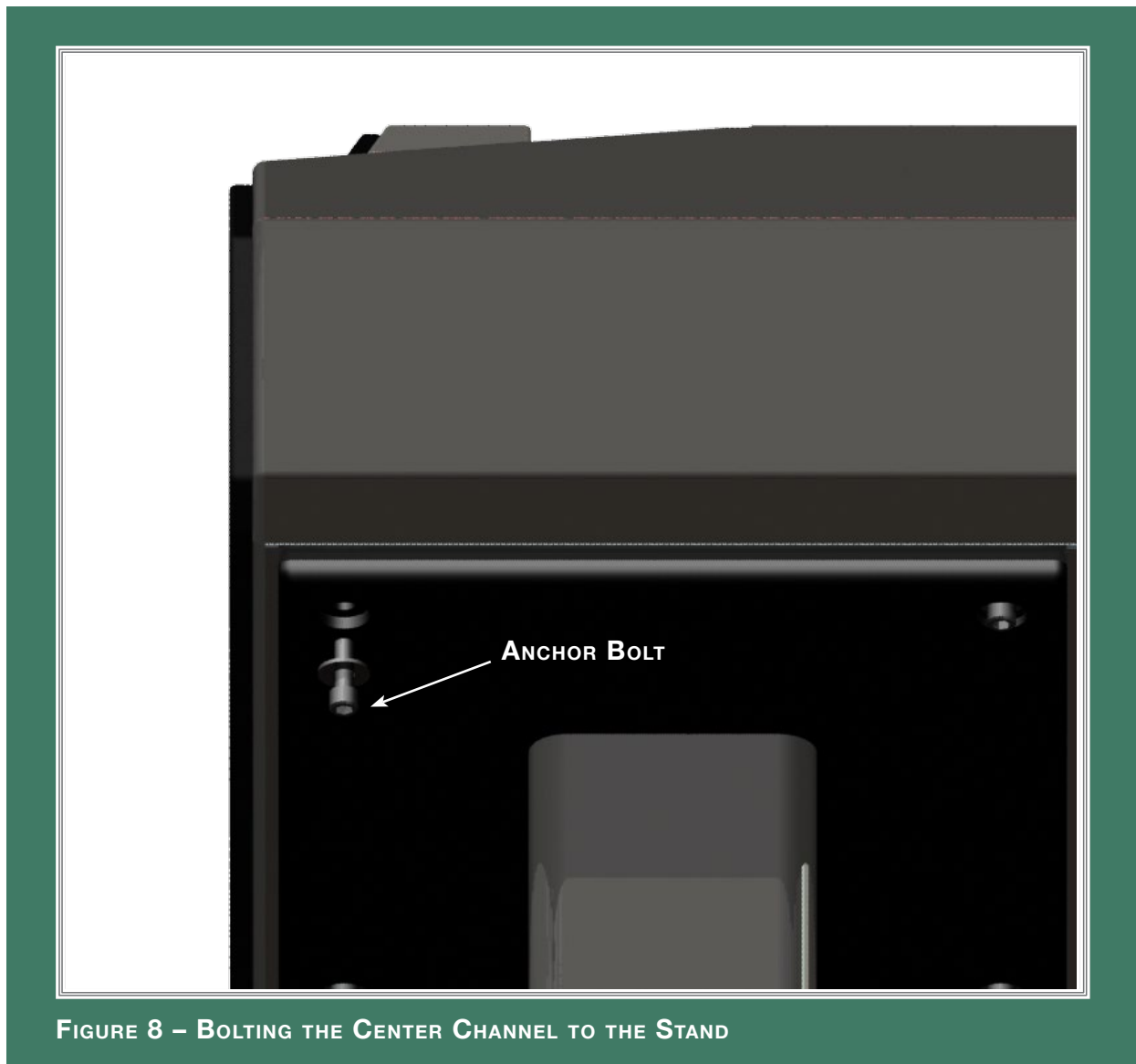


FIGURE 8 – BOLTING THE CENTER CHANNEL TO THE STAND

4. Bolt the Center channel to the stand using the four 3/8 – 16 threaded socket head cap screws and washer provided (see Figure 8).

Note: Do not overtighten the bolts; a snug fit is all that is required to secure the Center Channel to the stand.

5. Turn to Section 4.8 for final assembly instructions.

Section 4.6—Set Up #3 Center on Custom Stand or Shelf

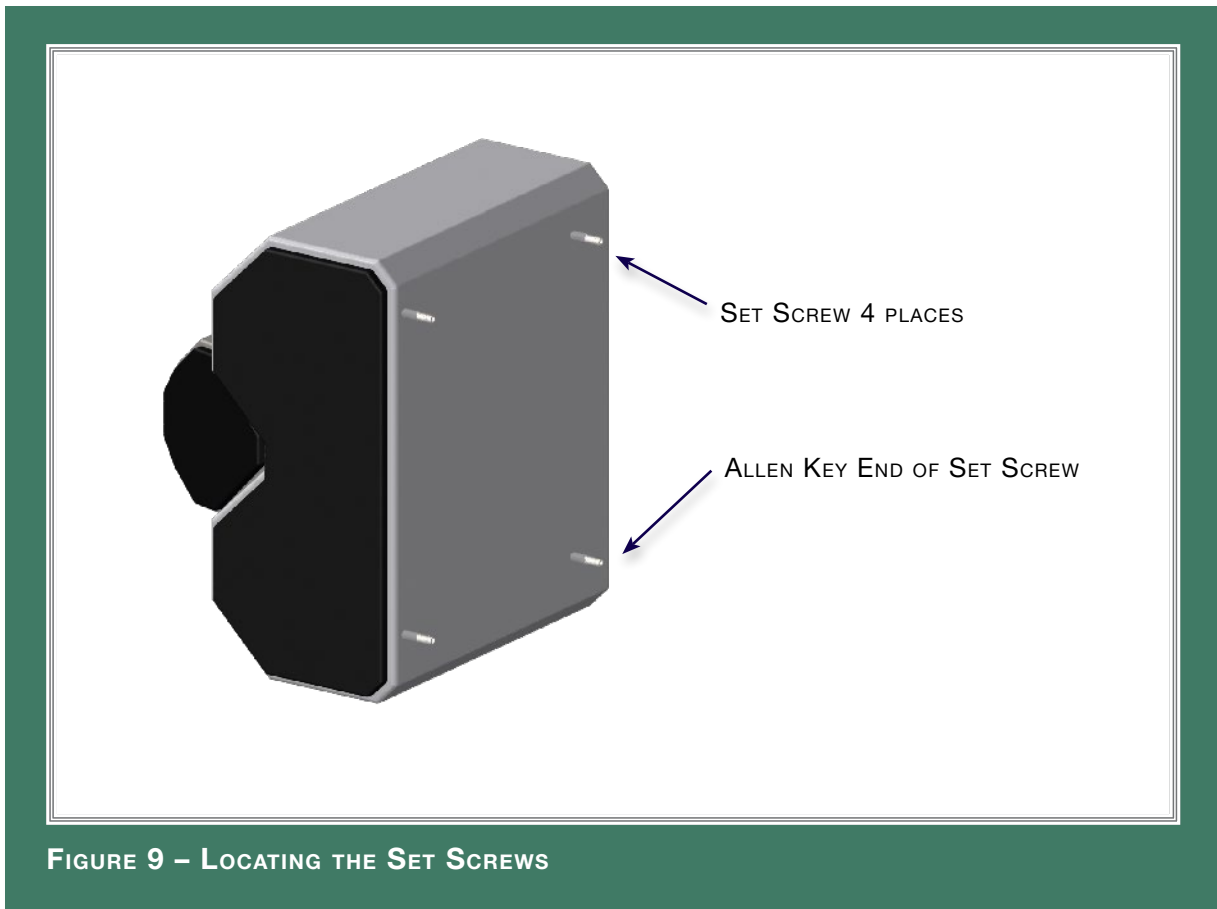


FIGURE 9 – LOCATING THE SET SCREWS

The WATCH Center Series 3 and WATCH Convergent Synergy are non-shielded and therefore, should NOT be placed near a CRT television. However, the Center channel can be placed near plasma or LCD televisions.

We recommend that you have a custom shelf built that allows the Center channel to be bolted securely above the screen and rotated down toward the listening position. Section 11 contains the requirements for this bracket. The speaker should be rotated so that the midrange drivers are firing just below the listening position. Once you have made and mounted the custom bracket, setup the Center channel as follows:

1. Lay the Center channel onto its side.
2. Using the provided 3/16 Allen wrench, back out the 4 setscrews from the bottom of the Center channel to the desired length.

Note: Be sure that the Allen key end of the setscrew is facing out.

3. Carefully lift the Center channel and set the threaded setscrews into the 4 mounting holes located on the top of the mounted custom shelf.
4. Using the provided 3/8 – 16 nut, bolt the Center channel to the mounting bracket.
5. Turn to Section 4.8 for final assembly instructions.

Section 4.7—Setup #4 Center Mounted to Ceiling

Note: Wilson Audio does not provide additional hardware for the optional ceiling mount location of the Center channel. The Wilson customer choosing this option will need to obtain hardware him or herself.

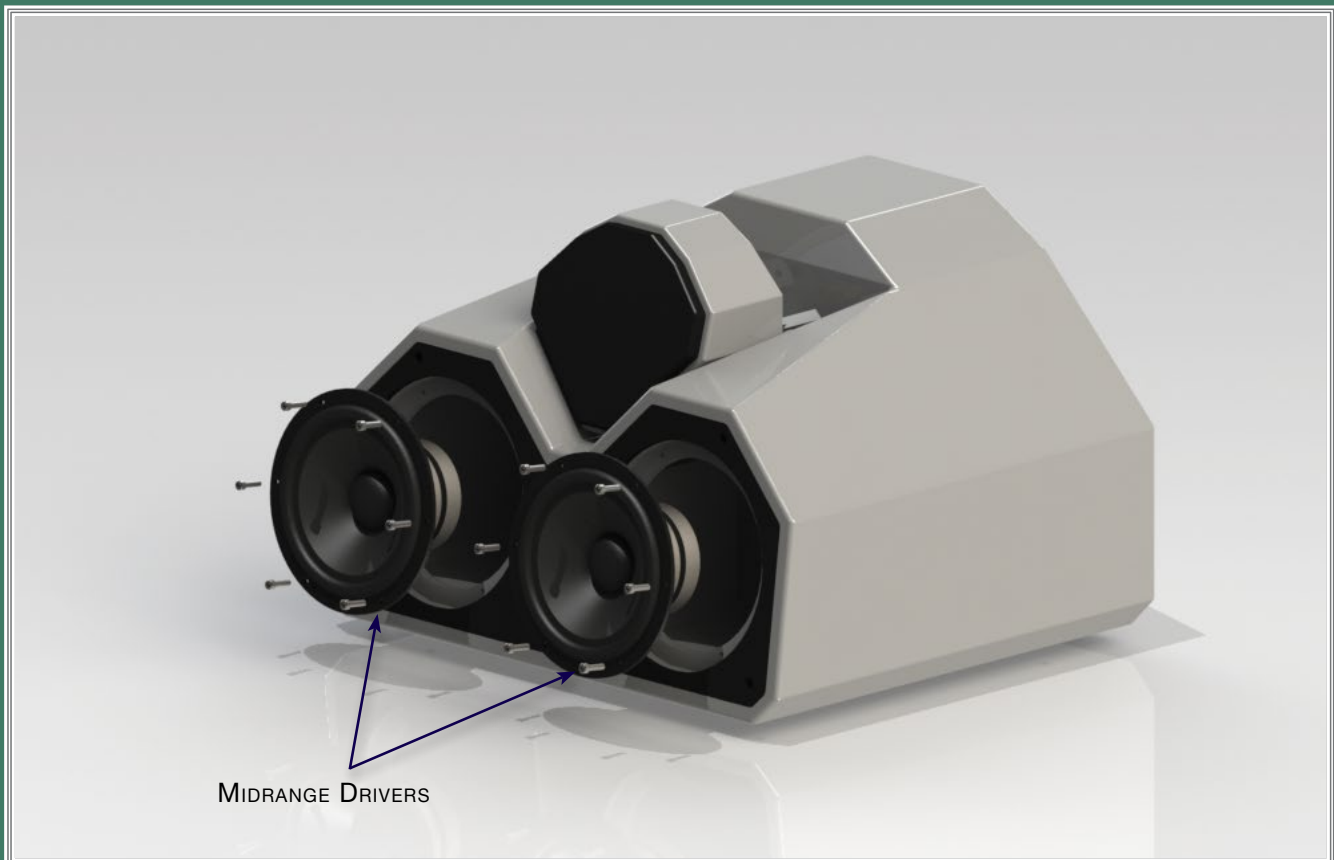
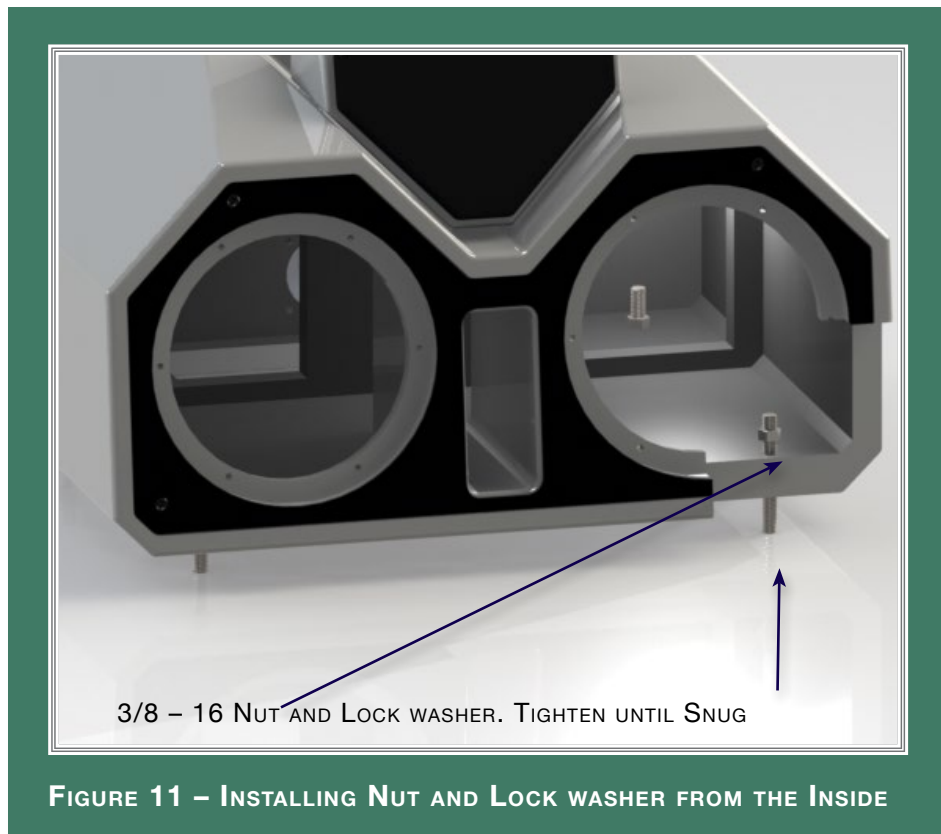


FIGURE 10 – MOUNTING CENTER CHANNEL TO CEILING

The Center channel has four 3/8-16 threaded holes on the bottom of the speaker. These holes can be used to bolt the Center channel to a custom made bracket (not provided) that is attached to the ceiling. Please see Section 11 for the requirements of this custom bracket. The hardware used to install the Center channel on its custom ceiling mount is not provided by Wilson Audio. Once the bracket is made and mounted, follow these instructions to bolt the Center channel to the ceiling as follows:

1. Set the Center channel on the floor.
2. Using the provided 3/16 Allen wrench, remove the 4 setscrews from the bottom of the Center channel.
3. Lay the Center channel onto its side and screw the four 3 inch setscrews 1 inch into the threaded holes on the bottom of the speaker.

Note: Be sure that the Allen key end of the setscrew is facing out when screwing it into the enclosure. This will allow for easy installation and removal in the future.



4. Using the 5/32" Allen wrench, remove the 2 midrange drivers. Do not unsolder the leads (see Figure 00).

Note: the material used for the bottom of the Center channel Wilson's proprietary high density composite X-material. While very hard, X-material is easily cross threaded when installing the spikes. Be careful that the spike thread is engaging properly into the bottom.

5. Screw the 3/8-16 nut and lock washer onto the setscrew from the inside of the enclosure (see Figure 11).
6. Tighten until snug using the open-ended wrench.
7. Replace the midrange drivers.

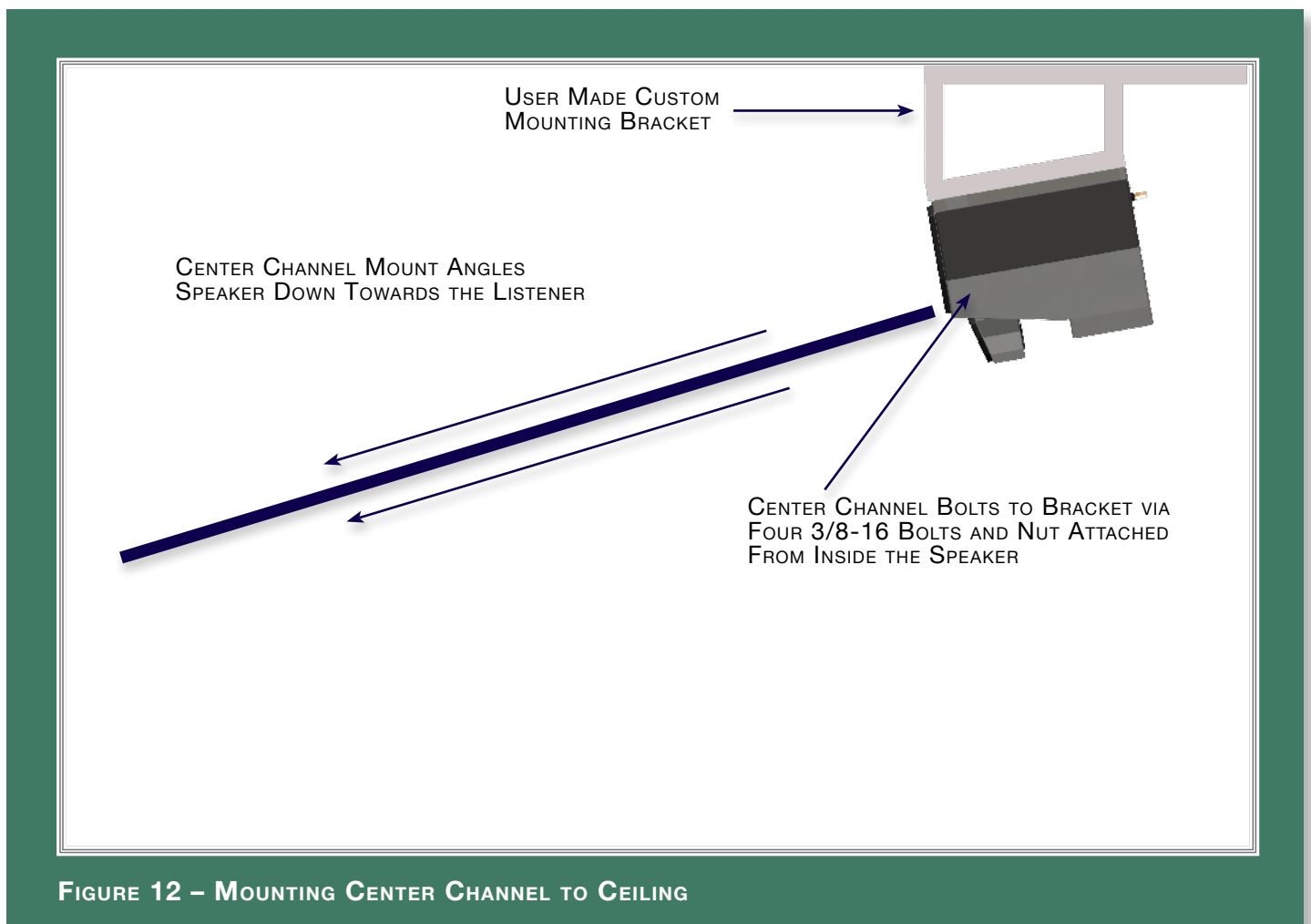


FIGURE 12 – MOUNTING CENTER CHANNEL TO CEILING

8. While two people hold the speaker up to the mounting bracket, a third person bolts the speaker to the ceiling. Use two 3/8-16 nuts on each threaded rod. This will lock the nuts into place.

Note: The custom mounting bracket should be designed to hold 3 times the weight of the Center channel (77 lbs). This gives an acceptable safety factor of 3.

9. Continue to Section 4.8 for final assembly instructions.

Section 4.8—Center Channel Final Setup

The final setup work needed before fine tuning and other speaker setup is performed as follows:

- Set the Propagation Delay Correction on the tweeter assembly (see Section 10).
- Connect the speaker cables from the amplifier.

The propagation delay correction is one of the most important elements of the setup. There are two methods for setting the PDC: one for floor and stand mounted Center channel and one for ceiling or any other custom location.

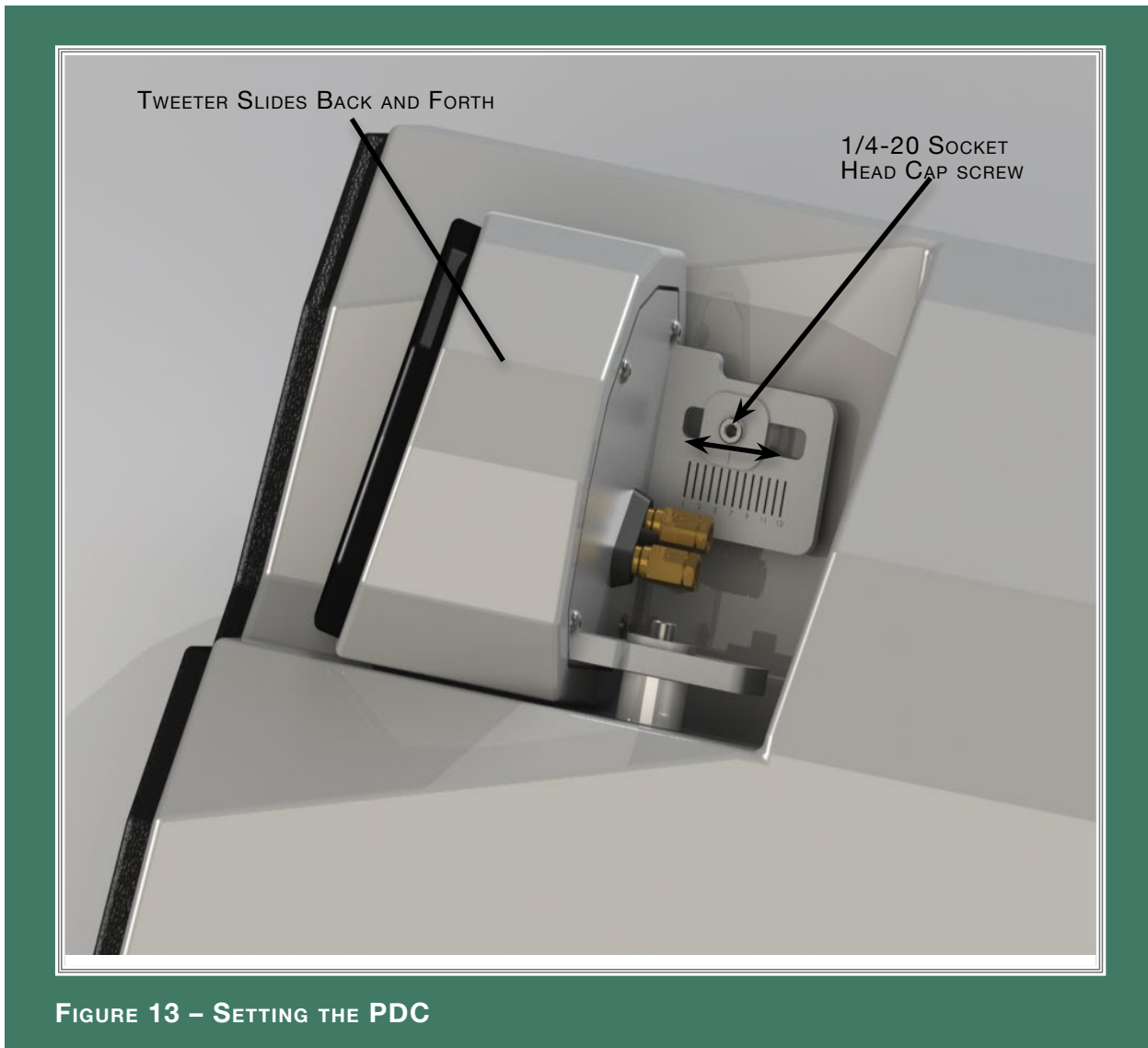
Stand or Floor Mounted Center Channel

1. Find your measured listening distance and ear height.
2. In Section 10, locate the table that corresponds to your Center channel location and front spike combination (i.e. floor mounted Center channel with a spike, nut, diode, and one spacer).

Note: There is a unique PDC setting for each Center channel location and front spike combination. Be sure you are reading from the correct table.

3. Read from the table the required offset (see Section 10).

4. Using a 3/16" Allen wrench, loosen the 1/4-20 socket head on tweeter assembly (see Figure 13 below).
5. Slide the tweeter until the indicator line on lock down bolt washer is aligned with the appropriate numbered line on the tweeter mounting bracket.



6. Retighten the socket head cap screws until snug.

Note: Be careful when loosening or tightening the screws that you do not damage the painted finish.

Ceiling or Other Custom Location

Because of the large number of unique combinations for your location, we are unable to provide the exact alignment setting for you. If you have followed the instructions closely up to this point, you will be able to set the PDC by experiment. This is done as follows:

- Unhook all the speakers except the Center channel.
- Using a 3/16" Allen wrench, loosen the 1/4-20 socket head bolts that hold the tweeter in place.
- Play a sound track that has a female vocal.
- Sit in your listening location and have someone slowly slide the tweeter forward and backwards. Listen for the location that the female vocal is free from any chest or nasal sound. The vocals will be clean and clear, free



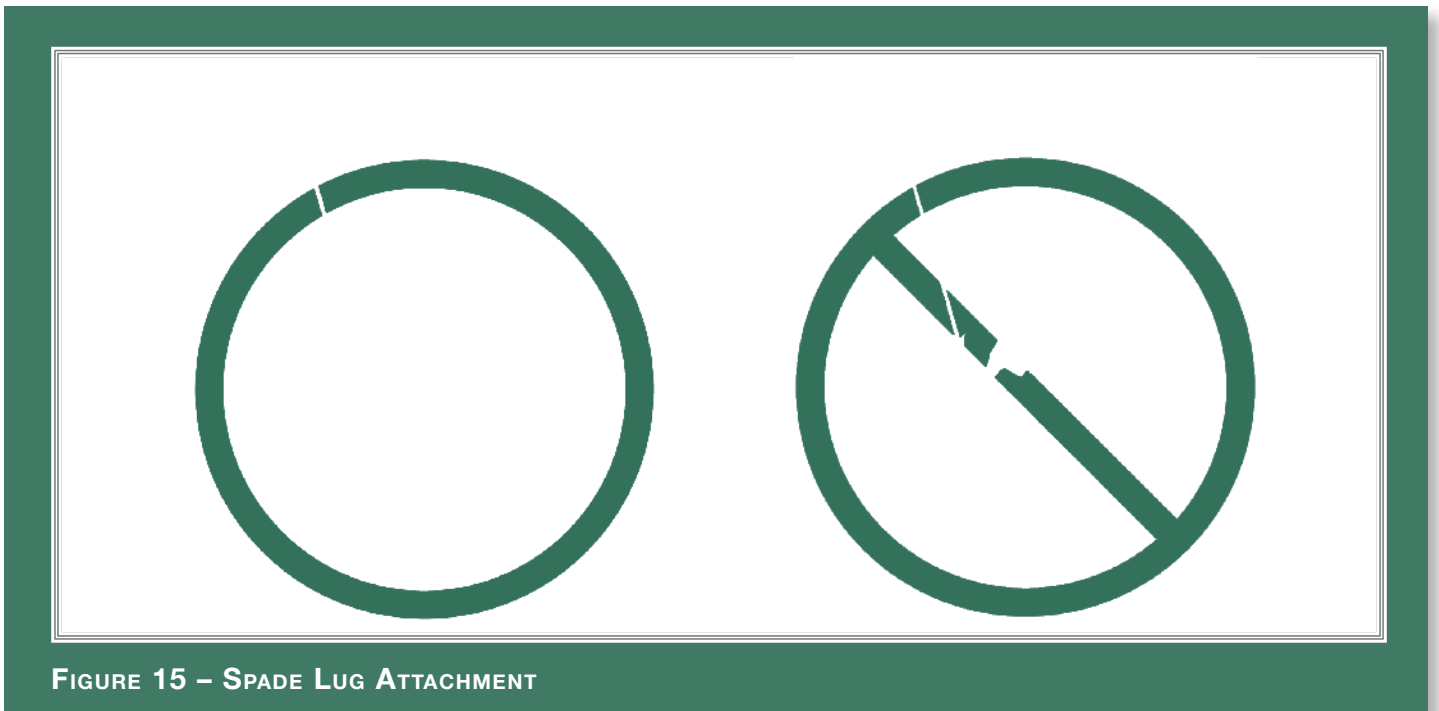
from any veiling of the sound. This is the correct alignment position.

- Lock down the tweeter in this position.

Section 4.9—Connecting Speaker to Amplifier

Speaker Cables

The high current input terminals located on the rear of your Center channel loud-



speaker are color coded with a small plastic plug, so that RED (marked "+") corresponds to positive and BLACK (marked "-") to negative, common, or ground on the amplifier output. Be sure to connect the loudspeakers in phase with each other. We recommend the use of the very highest quality loudspeaker cables, particularly those designed for high frequency propagation correction and phase linearity. Beware of "zip cord" type speaker cables, which will smear the sound and limit their effective bandwidth. Also, do not use braided

litz-type loudspeaker cables as they will cause an unnatural brightness to the sound, compromise sound staging performance, and may cause instability, oscillation, and damage in wide bandwidth solid state amplifiers.

Spade Lugs

The spade lugs of some of the high quality cables often used with the Center channel are *angled* to reduce pressures on the cable during installation. Avoid the instinct to push the cable's spade lug ends all the way into the Center channel's connectors (see Figure 15). Partial insertion of these *angled* spade lugs will actually improve the reliability of the connection. Flat lugs may be fully inserted to connectors before tightening.

Connection of the Center to the Power Amplifier

1. Turn off the power amplifier(s) and remove the AC power cord from the wall outlet.
2. Lay out the speaker cables before hooking them up to the Center channel. Make sure that there are no *kinks, twists, or right-angled bends* in the cable. If you need to turn corners, attempt to use a gradual curve as opposed to a severe right-angled bend.
3. Connect the negative (normally black) end of the speaker cable to the high current speaker binding post with the engraved “-” above it (see Figure 14).

Note: Do not overtighten the binding posts. Overtightening can cause the posts to break off.

4. Connect the positive (normally red) end of the speaker cable to the high current speaker binding post with the engraved “+” above it.
5. Plug your amplifier(s) AC power cord into the wall outlet.

Note: Always attempt to keep your set (LRC) of speaker cables the same length. This will ensure that the signals arrive at each speaker in the proper time frame, by traveling the same distance to each speaker.

Center Channel Setup Completed

This completes the initial setup of your Center channel. Final system tuning and voicing should be performed as outlined in Section 5. Section 5 will evaluate your entire speaker setup and allow you to make small modifications in speaker rotation and location that will greatly improve the performance of your multi-channel audio or home theater system.

SECTION 5—FINAL TUNING AND VOICING



Section 5.1—Final Tuning and Voicing

This loudspeaker placement method was developed by David A. Wilson, for Wilson Audio Specialties, Inc., to find optimum loudspeaker locations in any given room within one hour. Participating in numerous audio/multi-channel/home theater shows with very different and difficult acoustic environments necessitated this procedure. Currently, all Wilson Audio dealers employ this setup procedure for their customers, in order to quickly and predictably achieve the best performance from their systems (this procedure can be used successfully with ANY moving coil speaker system).

Proper system calibration is the most important step in the setup of your multi-channel/home theater system. The WATCH system offers increased resolution and overall system performance. This increased resolution allows you to fine tune your system, thus increasing overall performance, more than any other system available.

Fine tuning and “voicing” generally involve only small changes in location and rotation (or toe) of your multi-channel system. With proper calibration you will find that changes as small as 1/2 inch will have an impact on the performance of your system. The following sections will step you through this fine tuning process. The setup will be done as follows:

- Set up of Left and Right channels with all other speakers disconnected.
- Add the Center channel.
- Add the Surround channels.
- Add the Subwoofer.

Adding one speaker at a time will allow you to easily evaluate the integration with the system and make the necessary adjustments to fine tune the setup.

Section 5.2—Left and Right Channels

Determining Front to Back Distance

The proper setup of the left and right channels is crucial for optimum system performance. If these speakers are not set up correctly, the entire system will suffer from poor integration. Please follow these steps carefully:

- Place the speaker in an appropriate location relative to your screen and listening area. Make certain to remove the grills and spikes.
- Toe the speakers in so that you can just barely see the inside edge when seated in the primary listening position.
- Using removable masking tape, graph off the floor so that you can accurately move both speakers forward and backward in 1/2 inch increments.
- Place your multi-channel processor into stereo mode.
- Using a piece of full range music (dynamic with a lot of low frequency information) played at a moderately high level, take notes on the sound quality. Pay specific attention to upper and lower bass quality, dynamic contrasts, image height, and focus.
- Move the speakers back or forward in 1 inch increments and then 1/2 inch increments.

Note: Moving the speakers BACK will generally increase low bass, sharpen focus, lower image height, and increase dynamics up to the point where you go too far, in which case the sound will start to lose these qualities in addition to becoming boomy and slow sounding. Moving the speakers FORWARD will increase air and bloom, raise image height, and generally increase the sense of space. Moving too far forward will cause the soundstage to become unnaturally high with a lack of focus, dynamics, and low-end extension.

- Find the front to back location where the bass is tight, dynamics are correct, image is well-focused, and you find the best soundstaging. Mark this as your final front to back location.

Determining Side to Side Distance

The distance the speakers are from the side walls is very important. This distance determines the amount of comb filtering you will hear. In effect, you are “tuning” the comb filter interaction between the speaker and the wall. Perform the side to side analysis as follows:

- Place a piece of tape on the floor parallel to the front edge of the speaker and again mark off 1/2 inch increments side to side.
- Using only one channel/speaker at a time, now determine the optimum position with regard to side walls.

Note: A high quality, solo piano recording works well for this step.

- While music is playing, slowly move the speakers left or right 1 inch then 1/2 inch at a time until you achieve the best harmonic integrity.

You should not need to move the speaker any more than one inch left or right from the original location. Do this independently for each channel. What you will hear when the speaker moves into the correct location is a reduction of hardness and muddled harmonics from the piano.

Note: If you continue moving the speaker past this point, you will begin to hear again this fatiguing artifact.

When you have determined the optimum location for each speaker, mark it carefully, and make certain the toe-in is correct. When installing the spikes, the speakers may shift slightly, but you can move them precisely back to the correct location again using your tape markers.

Section 5.3—Integrating the WATCH System

Note: Many processors offer a setup guide that steps you through the integration of each of the speakers, specifically, setting speaker distances, delays, and phase rotation. These adjustments are made via internal electrical adjustments. We have found that actual geometric changes, that is, moving the speaker location and rotation, offer improved results when integrating speakers. We recommend that you follow the steps outlined below, evaluate your system performance, and then make adjustments in the processor. Ultimately, you will, of course, need to make level adjustments via the processor.

Integrating the WATCH Center

The next step in the setup process is to fine tune the location and rotation of the Center channel. Do as follows:

- Place the Center channel centered between the main speakers and even with the front inner edge. Set the spikes as indicated in Section 4.
- Follow the processor instructions on level adjustment. Adjust the level on the Center channel so it matches in level with the left and right channels. Do not be surprised if the Center channel requires 5-7 dB lower adjustment than the left and right channel.
- Make sure that only the front Left, Right and Center channels are connected.
- Determine the Center is connected with correct polarity. Using a pink noise generator, play pink noise through the Center channel together with alternating Left and Right channels. If the polarity is correct on the Center channel, you will hear the pink noise centered between the Center channel and either the Left or Right speakers. If the polarity is incorrect, you will hear two point sources that are unfocused and located at each speaker playing.
- With the Center channel spiked, put on a multi-channel audio track or mov-

ie scene with which you are familiar.

- Play the selection and listen for the integration with the main speakers. As the audio moves across the three front speakers, listen for a smooth transition from one speaker to the next. You should not hear any voids in the sound stage.
- Make 1/2" changes in front to back location until you find the Center channel location that offers the best integration.

Image Height

Check the image height. Does the dialogue of a movie have the correct height? Is it too low or too high?

If needed, adjust the amount of rotation until the image height is correct. On a stand or floor mounted Center channel, raising the front spikes will raise the image height; lowering the front spikes will lower the image height. Where possible, we recommend that you add or remove a spacer to get the correct image height. This will allow the PDC to be reset using the tables in Section 10.

Center Rotation

Our testing has shown that a stand-mounted Center channel, at listening distances greater than 2-3 meters, requires the front of the Center channel to be raised about 1". This is because the effects of comb-filtering are more noticeable the further you are away from the Center channel. This comb-filtering reveals itself as a

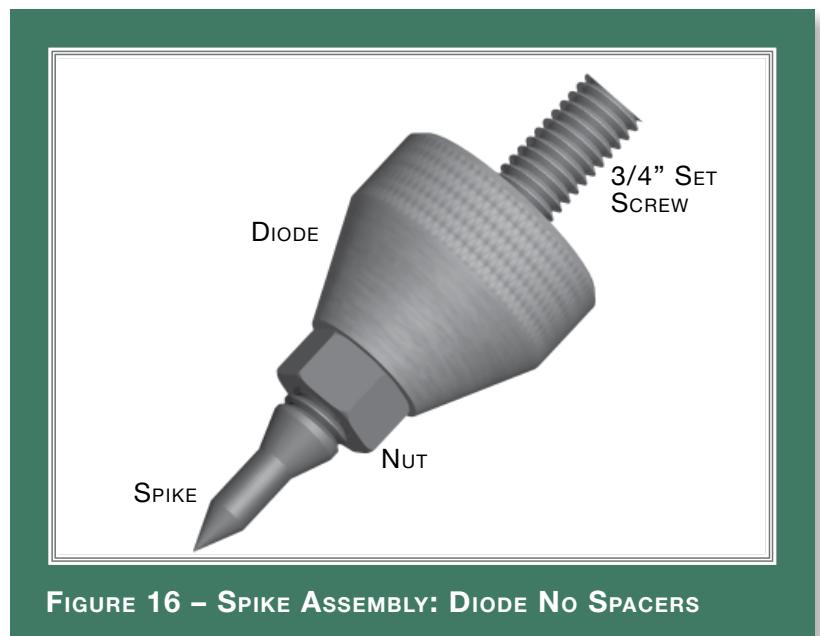


FIGURE 16 – SPIKE ASSEMBLY: DIODE NO SPACERS

slight nasal sound in the voice. If you notice this in the sound, you should raise the front spikes of your Center channel. This can be done by removing the front spikes and replacing them with the spike assembly as shown in Figure 16 below. Do as follows:

- Screw the spike and nut into the diode.
- Screw the 3/4" setscrew into the front spike holes in the stand.
- Thread the spike assembly onto the set screw.

Resetting the Propagation Delay correction (PDC)

Once the final rotation has been determined, you will need to reset the PDC. If you have raised the speaker by adding a diode or 1/2" spacer, read the PDC from the table that matches your current spike configuration in Section 10.

Every system has a unique time and phase character, which can affect the PDC accuracy. Because of this, you may find that sliding the tweeter forward or backwards one or two positions increases the clarity and correctness of your Center channel. If you like, experiment with the tweeter position and lock it in position when you find the location you feel to be most accurate.

Integrating the WATCH Surround or Alida

- Follow the processor instructions on level adjustment. Adjust the level on the Surround channels so they match in level with the front channels.
- Play a DVD that has a scene with something moving around the room. Listen for the correct spacial imaging. A correctly adjusted Surround channel will have good imaging characteristics, will be seamlessly blended, and should be just as transparent as the front channels.
- Adjust the rotation of the Surround channel until you find the best integration.

Integrating the Passive WATCH Dog

The Passive WATCH Dog will perform well in almost any location in the room. In general, the closer you place the subwoofer to a wall or corner, the greater the augmentation of the bass. However, the increase in bass comes at a cost of perceived speed, dynamics and bass clarity. We recommend that you experiment with the placement of the subwoofer to find a balance of the above mentioned items with which you are satisfied. For complete information on integrating a Wilson Audio WATCH Dog, please refer to your subwoofer owner's manual.

Wilson Audio Specialties

SECTION 6—CARE OF THE FINISH



Section 6.1—Care of the Finish

The WATCH Center Channel Series 3 loudspeaker is hand painted with WilsonGloss™ paint and hand polished to a high luster. While the finish seems quite dry to the touch, final curing and complete hardening takes place over a period of several weeks.

Dusting the WATCH Center

It is important that the delicate paint finish of the WATCH Center be dusted carefully with the dust cloth, which has been provided. We recommend that the following procedure be observed when dusting the speakers:

- Blow off all loose dust.
- Using the special dust cloth as a brush, gently whisk off any remaining loose dust.
- Shake out the dust cloth.
- Dust the finish, using linear motions in one direction parallel to the floor. Avoid using circular or vertical motions.

Because the paint requires a period of several weeks to fully cure, we recommend that no cleaning fluids, such as glass cleaners, be used during this initial period of time. When the paint is fully cured, heavy fingerprints and other minor smudges may be removed with a glass cleaner. Always use the dust cloth. Stronger solvents are not recommended under any circumstances. Consult your dealer for further information if required. To maintain the high luster of the finish, periodic polishing may be desired. We recommend a nonabrasive carnauba-based wax and a soft cloth.

Care of the Grills

Periodically, you will want to clean the WATCH Center's grills. This is best done by

using the round brush attachment on a vacuum cleaner hose. Gently vacuum the front surface of the grill. Be careful not to apply too much pressure. Do not use a hard plastic attachment against the grill. The grill cloth is stretched tightly over the grill frame. Too much pressure or use of a hard plastic attachment could cause the grill material to tear, especially in the corners.

Often Wilson speaker owners desire to change the look of their listening room by changing the color of their speaker grills. In addition to basic black, Wilson Audio offers a variety of grill colors to match most WilsonGloss finishes. Contact your local dealer for grill cloth samples or to order replacement grills for your WATCH Center channel.

Break-in Period

All audio equipment will sound best after its components have been broken in for some period of use. Wilson Audio breaks in all woofers and mid-range drivers for approximately 12 hours. All drivers are then tested, calibrated, and matched for their acoustical properties. In your listening room, expect 25 to 50 percent of break-in to be complete after two hours of playing music at normal listening levels. Ninety percent of break-in is complete after 24 hours of playing. Playing a CD on repeat overnight can accomplish this task quickly. Wilson Audio recommends chamber music for this task.

Section 6.2—Enclosure Technology

Materials

Wilson Audio has conducted many hours of research on the impact of materials on speaker enclosure performance. Through this effort, Wilson pioneered the use of non-resonant materials, first with the use of mineral-filled acrylic in the WATT and continuing with the further development of proprietary materials for X-1 Grand SLAMM and WATCH Dog. Even the best materials are not suited to all aspects of enclosure construction. Therefore, like all Wilson loudspeakers, the WATCH Center is constructed of several exotic materials

chosen for their specific performance attributes relevant to different portions of the enclosure.

The WATCH Center is constructed using non-resonant, high-density, composites which are then cross-braced to further reduce cabinet resonance. Each of these composites meets and exceeds the highest of ANSI test standards for its use, while offering very tight tolerances, high hardness, uniform density, and dimensional stability.

Adhesive

Wilson Audio has conducted exhaustive research into the best adhesives to permanently bond our speaker enclosures. This is often an overlooked element crucial to the proper performance of a loudspeaker. Correct modulus of elasticity, coefficient of thermal expansion, and natural frequency response are just a few of the important elements of adhesives.

A highly cross-linked, thermoset adhesive is used for the construction of the enclosure. It was also chosen for its excellent bond strength, solvent resistance, hardness, and optimum vibrational characteristics.

Section 6.3—Depth of Design

WATCH Center's compellingly authentic performance and lasting value are achieved through careful implementation of cutting edge design and engineering and then executed using the highest performance materials. Wilson Audio's use of proprietary enclosure materials and adhesives are employed to achieve truly exceptional speaker cabinet performance. The use of these materials in the WATCH Center results in an enclosure that is inherently inert and non-resonant. All of these structural aspects are combined, allowing Wilson Audio to deliver a product that maintains the strictest structural tolerances, durability, and reliability. This also means that the WATCH Center will have consistent, repeatable performance, unaffected by the climatic conditions, anywhere in the world. Finally, like all

Wilson products, the WATCH Center is hand-crafted with meticulous attention to detail, with an unwavering commitment to excellence. Thus, the WATCH Center Channel Series 3 will impart to her owner beauty and pleasure for many years to come.

SECTION 7 — TROUBLESHOOTING



Section 7.1—Troubleshooting:

Center channel is not operating:

Check the interconnects from the source.

Driver out or not playing after connections have been verified:

Check the connections on the speaker cables, both at the amplifier and speaker ends. Watch especially for connectors touching each other.

Amplifier shuts off as soon as it is turned on:

If you have found a driver with no output, turn off your amp and disconnect the speaker cable. Remove the access panel on the rear of the enclosure. **Note: The enclosures is quite heavy. Please use care when moving.**

Using the appropriate Allen key, open the door on the back.

You will find some resistor connections. Replace the resistor with the supplied matching resistor. Tighten the new resistor in the old one's place.

Note: Use only Wilson Audio replacement resistors in your WATCH Center. These resistors were carefully chosen for the overall sonic and thermal performance.

Plug your amplifier into the wall and turn it on.

Listen to the Center at a low level. The driver should now be operating correctly.

Check to see if your speaker cables are properly connected to the bind-

If the problem is solved:

If the problem persists:

If the problem is solved:

If the problem persists:

If the problem is solved:

ing posts. Look for frayed ends, loose connections, or a conductor contacting the amplifier chassis.

Turn the amplifier off and disconnect it from the AC wall outlet. Disconnect the preamplifier leads to the amplifier. Now turn on the amplifier.

There is likely something wrong with your preamplifier or interconnect. Contact your dealer.

Leave the preamp leads disconnected and continue to the next step.

Turn the amplifier off. Disconnect the speaker leads at the main input to the speaker. Now turn on the amplifier.

Call your Wilson Audio dealer. There may be a problem with the crossover or the speaker's internal wiring.

Continue to the next step.

Turn the amplifier off and disconnect it from the AC wall outlet. Disconnect the speaker cable leads to the amplifier and reconnect to the power, and turn the amplifier on again.

You have a short in your speaker cables. Check for frayed ends, holes (from spike feet), or make sure that your spade lug is not touching the chassis while it is connected to the binding post.

Call the dealer where you bought your amplifier. You appear to have a

If the problem persists:

problem with this component.

Wilson Audio Specialties

SECTION 8 — REPAIR PROCEDURES



Section 8.1—Repair Procedures

Replacing an Open Resistor

The WATCH Center channel has a resistor that will protect the tweeter, in most cases, if the speaker is over driven during normal operation. This is done so that the driver is not damaged. Replace a blown resistor as follows:

1. Determine which driver is not playing music through the tweeter.
2. Remove the appropriate resistor access cover from the enclosure by removing each of the 10-32 button head machine screws (see Figure 14 for resistor cover location).
3. Using the appropriate Allen head, unscrew the 4-40 Allen bolt that holds the resistor to its heatsink.
4. Connect the leads of the new resistor to the resistor barrier strip. Retighten the screw on the barrier strip.
5. Attach the new resistor to its heatsink using the 4-40 Allen bolt.
6. Re-attach the resistor access cover to the enclosure, making sure not to over tighten the screws.

Replacing a Bad Driver

If you believe that a driver is blown, make sure that you have tried replacing the protective resistor before you replace the driver. No sound coming from a driver is often a blown resistor and not a bad driver. If you need to replace a driver, do so as follows:

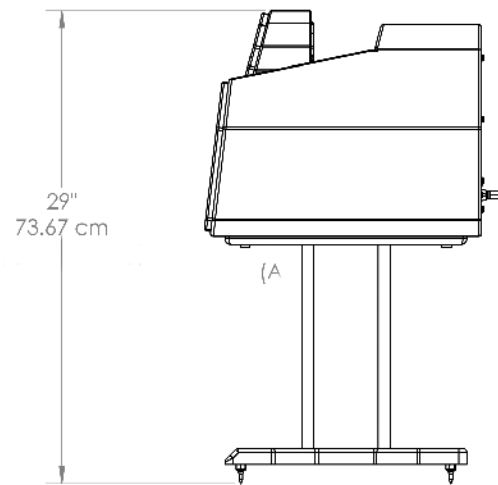
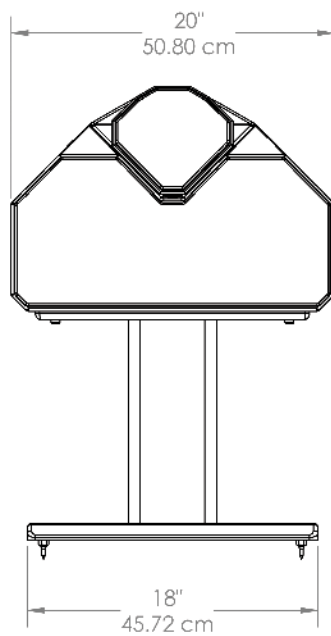
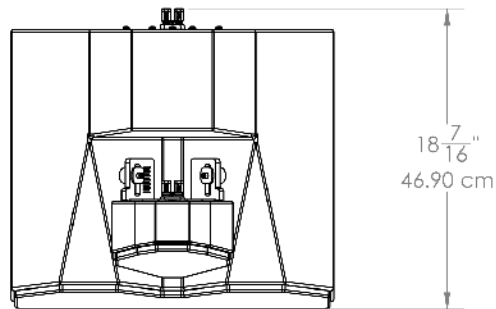
1. Using the supplied Allen wrench, remove the machine screws holding the driver in place.
2. Insert the Allen wrench into one of the driver screw holes 1/8 inch. Gently lift out the driver, and place it onto the foam pad covering the front baffle.

Note: It is best to place an old towel under the driver so that you will not damage the enclosure when unsoldering the driver.

3. Using a 900 degree F soldering iron, heat up the solder joints and remove the driver.
4. Melt a small 1/8" diameter bead of solder onto the tip of each wire. Heat the wire up until you see the solder wick into the copper.
5. Place the replacement driver onto the cloth and solder on the wires to the driver. The white wire connects to the positive side, and the black wire connects to the negative. The positive side is generally indicated by a red dot. Make sure to heat up the solder joint completely and hold firmly in place until the solder sets. The wires and adjoining connectors can get very hot. Make sure to take care to not burn yourself.
6. Replace the driver foam gasket.
7. Place the driver into the machined recess.
8. Replace the machine screws, tightening them to 30 inch/pounds of torque.

Note: Be careful not to over tighten the screws.

SECTION 9 — SPECIFICATIONS



Section 9.1—WATCH Center Channel Specifications

Drivers:

Tweeter: One – 1" (2.54 cm) Inverted Titanium (Series 3)

Midrange/Woofers: One – 1" (2.54 cm) Doped Silk Fabric (C.S.)

Two – 7" (17.78 cm) Cellulose/Pulp Composite
4 ohm

Measurements:

Impedance: 94 dB @ 1 watt @ 1 meter @ 1kHz

Sensitivity: 45Hz–22.5kHz +/- 3 dB (Series 3)

Frequency Response: 45Hz–25kHz +/- 3 dB (Convergent Synergy)
room average response [RAR]

13 13/16" (35.14 cm) w/o spikes

Dimensions:

Center Channel Height: 18 7/16 inches (46.90 cm) 14" (35.56 cm)

Center Channel Depth: 20" (50.80 cm)

Center Channel Width: 14" (35.56 cm) w/o spikes

Stand Height (without spikes): 18" (45.72 cm)

Stand Depth: 15" (38.10 cm)

Stand Width: 77 lbs (34.93 kg)

48 lbs (21.77 kg)

Weight Uncrated:

Speaker Weight: 48 lbs (21.77 kg)

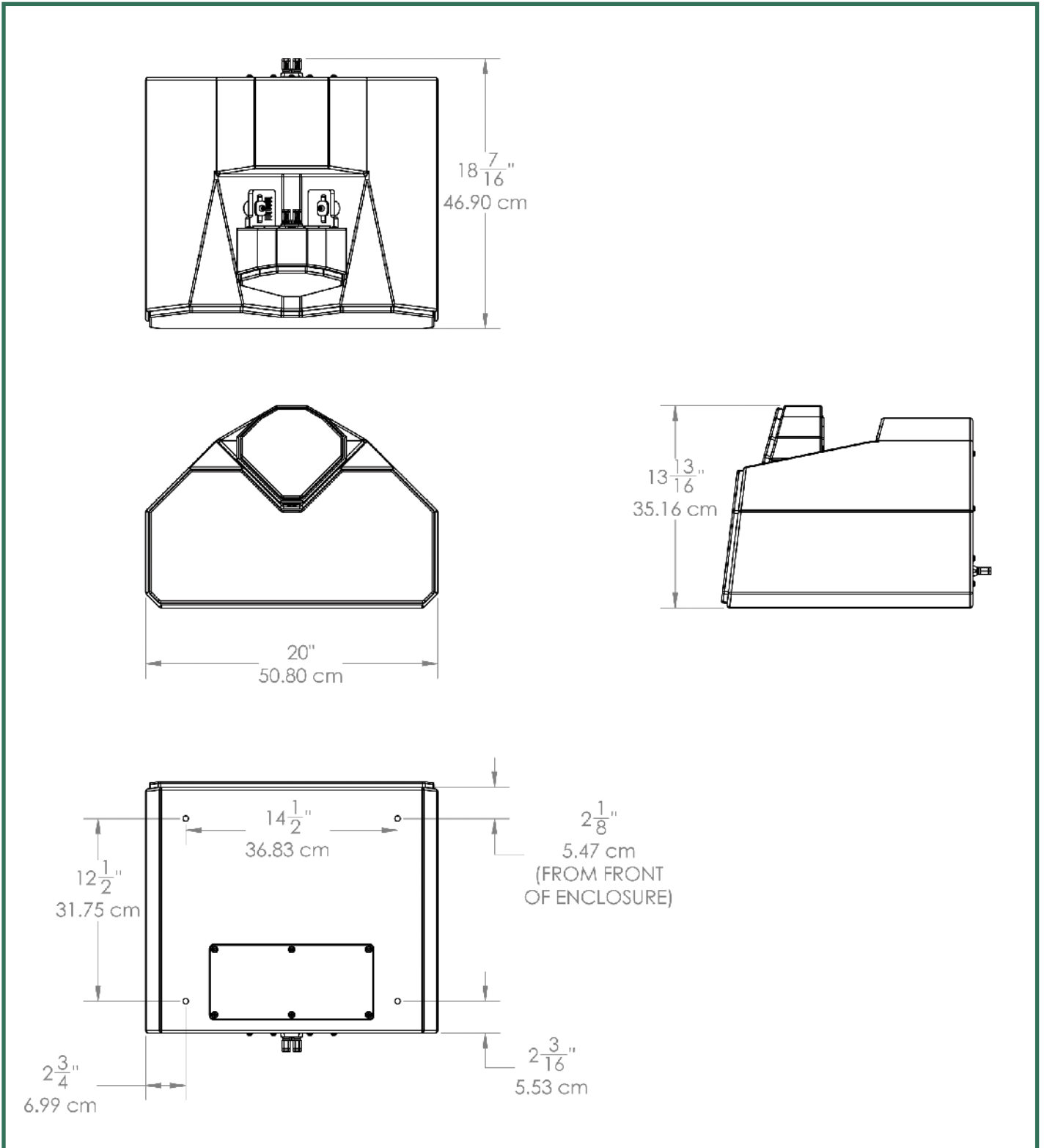
Stand Weight: 55 lbs (24.95 kg)

Shipping Weight (approximate):

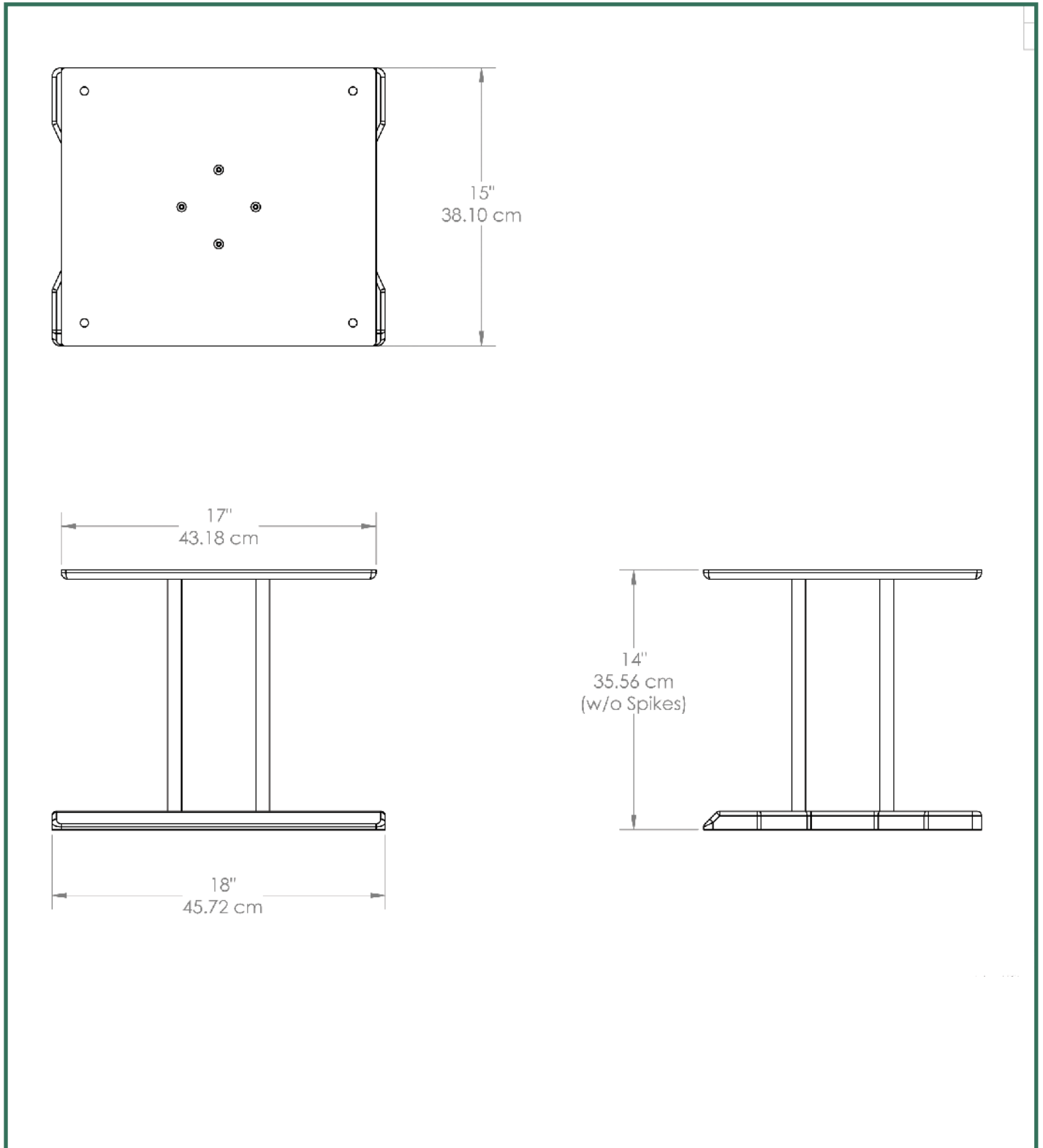
Center Channel:

Matching Stand:

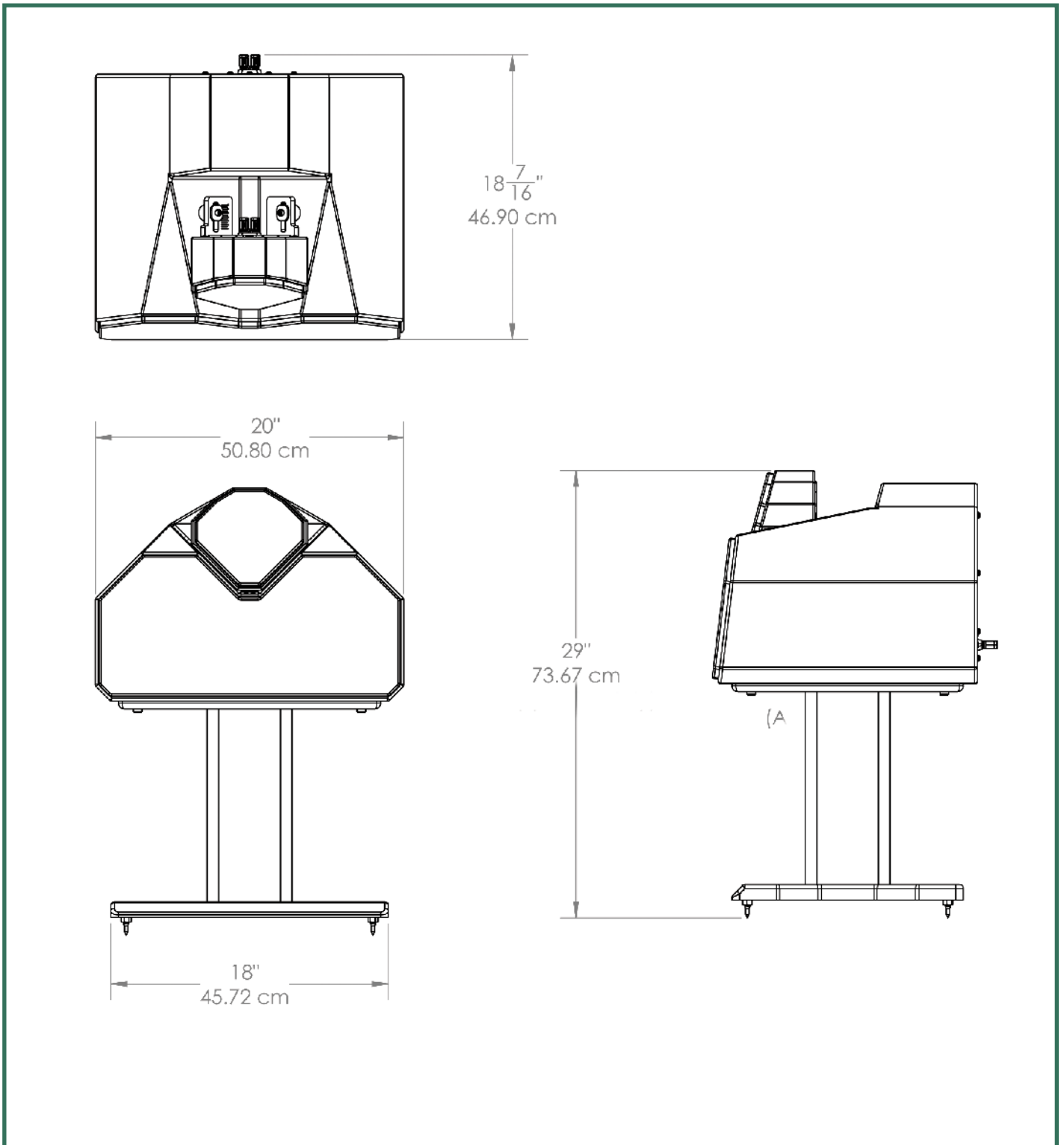
Section 9.2—Center Series 3 Dimensions



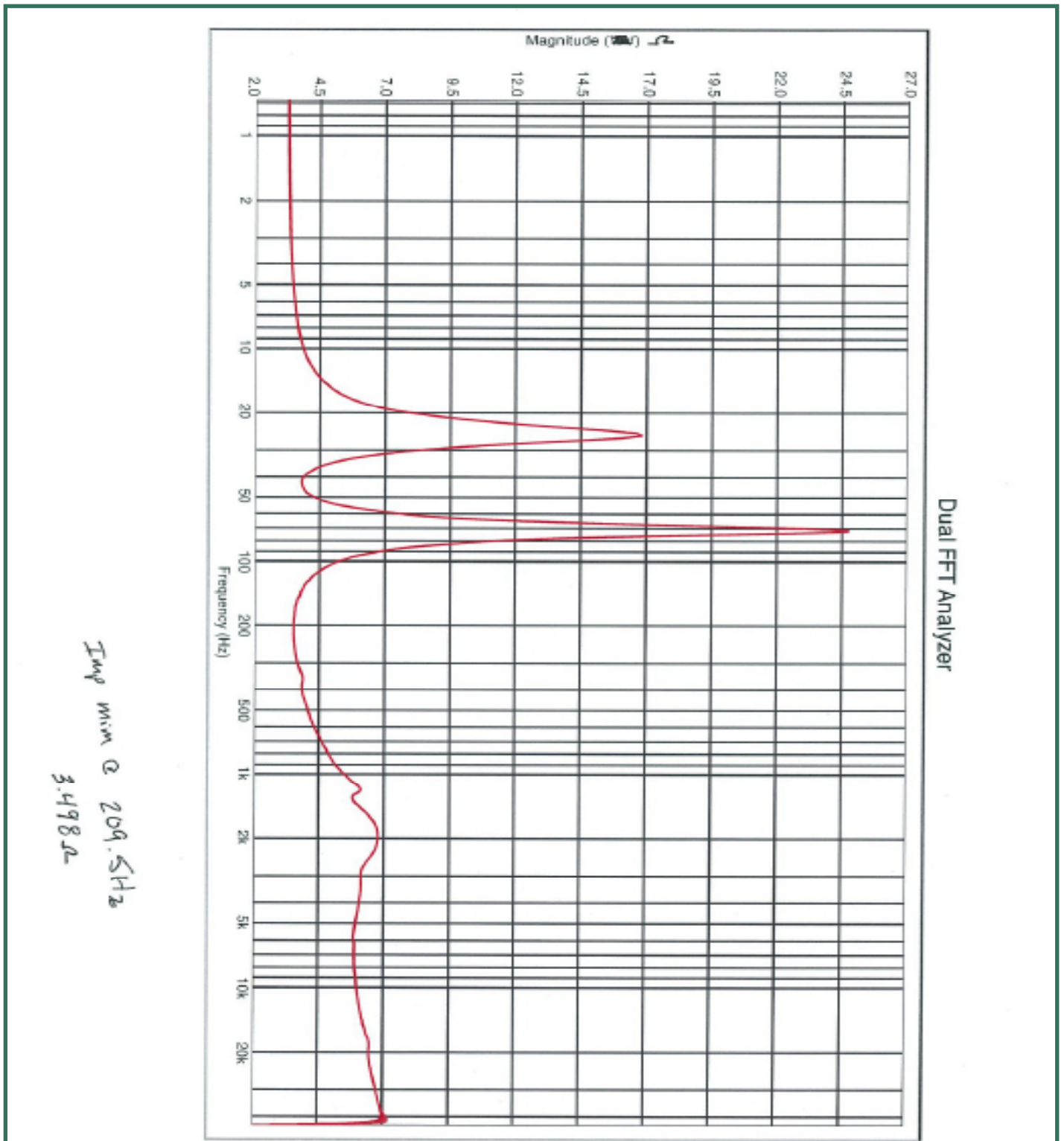
Section 9.3—Center Series 3 Matching Stand Dimensions



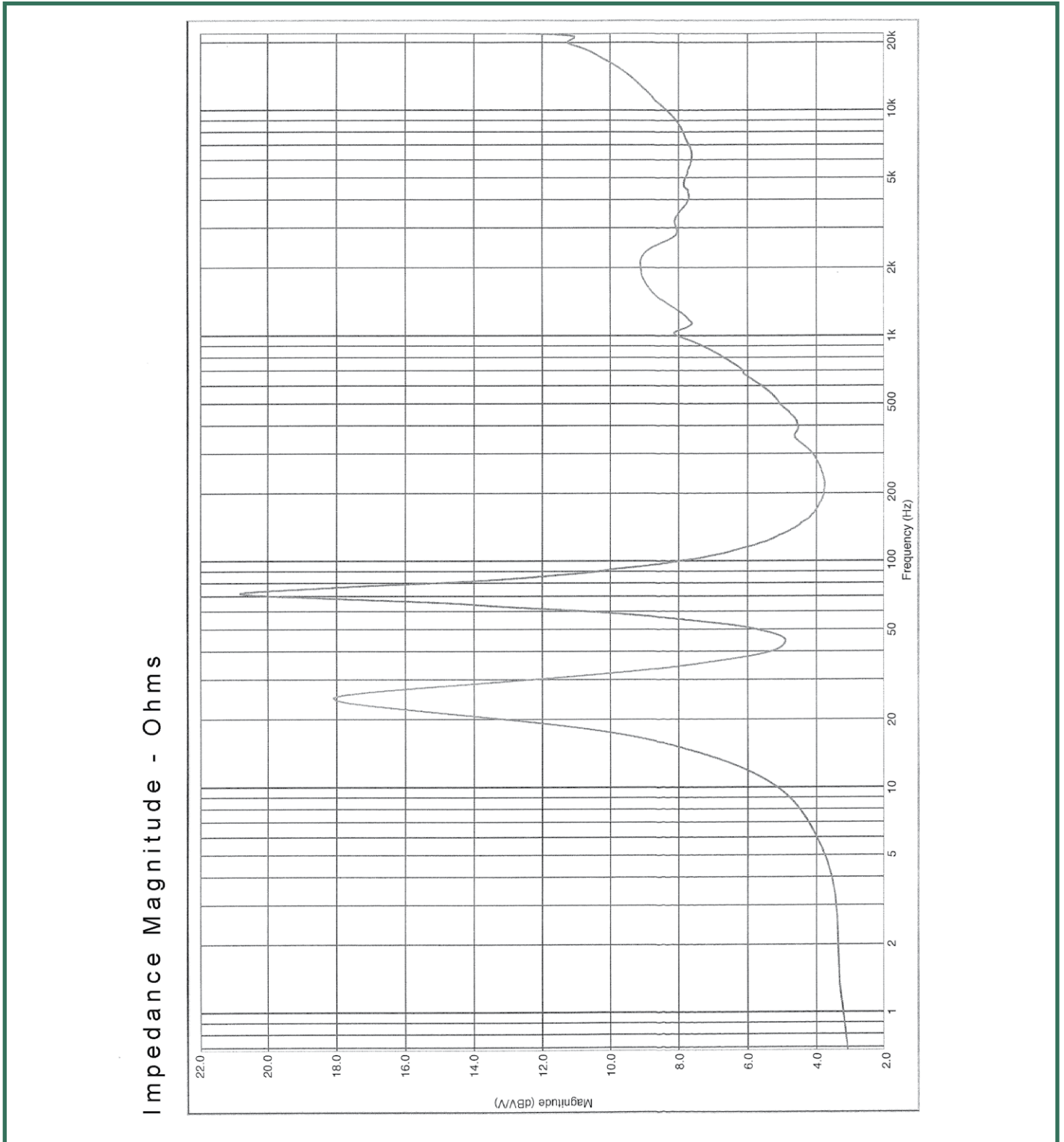
Section 9.4—Center Series 3 on Matching Stand Dimensions



Section 9.5—WATCH Convergent Synergy Impedance Curve



Section 9.6—Center Series 3 Impedance Curve



SECTION 10—TWEETER ALIGNMENT TABLES

72"	4	3	1	na
76"	5	3	2	1
80"	6	4	3	1
84"	6	5	4	2
88"	7	6	4	3
92"	8	6	5	4
96"	8	7	5	4
100"	9	7	6	5
104"	9	8	6	5
108"	9	8	7	6
112"	10	9	7	6
116"	10	9	8	-
120"	11	9	8	-
124"	11	10	8	-
128"	11	10	9	-
132"	11	10	9	-
136"	12	11	9	-
140"	12	11	10	-
144"	12	11	10	-
148"	12	11	10	-
152"	13	12	11	-

Table 1—For Placement on Floor (Series 3)

Center on Stand		Listening Distance				
		36 in	40 in	44 in	48 in	52 in
		91.5 cm	101.5 cm	112 cm	122 cm	132 cm
Ear Height						
60 in	152.5 cm	6	7.5 †	4.5 †	2 †	na
64 in	162.5 cm	6	3	5.5 †	3 †	na
68 in	172.5 cm	7	4	6 †	4 †	1 †
72 in	183 cm	7.5	5	7 †	4.5 †	2 †
76 in	193 cm	8	5	3	5 †	3 †
80 in	203 cm	8	6	3.5	6 †	4 †
84 in	213.5 cm	9	6	4	7 †	4.5 †
88 in	223.5 cm	9	7	4.5	7 †	5 †
92 in	233.5 cm	9	7	5	3	6 †
96 in	244 cm	9.5	7.5	5.5	3.5	6.5 †
100 in	254 cm	10	8	6	4	7 †
104 in	264 cm	10	8	6.5	4.5	7.5 †
108 in	274.5 cm	10.5	8.5	7	5	3
112 in	284.5 cm	10.5	9	7	5	3.5
116 in	294.5 cm	11	9	7.5	6	4
120 in	305 cm	11	9	7.5	6	4.5
124 in	315 cm	11	9.5	8	6.5	5
128 in	325 cm	11	10	8	6.5	5
132 in	335.5 cm	11.5	10	8.5	7	5.5
136 in	345.5 cm	11.5	10	8.5	7	6
140 in	355.5 cm	11.5	10	9	7.5	6
144 in	366 cm	12	10.5	9	8	6.5
148 in	376 cm	12	10.5	9	8	6.5
152 in	386 cm	12	11	9.5	8	7
156 in	396 cm	12	11	9.5	8.5	7
160 in	406.5 cm	12	11	10	8.5	7.5
164 in	416.5 cm	12.5	11	10	9	7.5
168 in	426.5 cm	12.5	11	10	9	8
172 in	437 cm	12.5	11.5	10	9	8
176 in	447 cm	12.5	11.5	10.5	9	8
180 in	457 cm	13	11.5	10.5	9.5	8.5

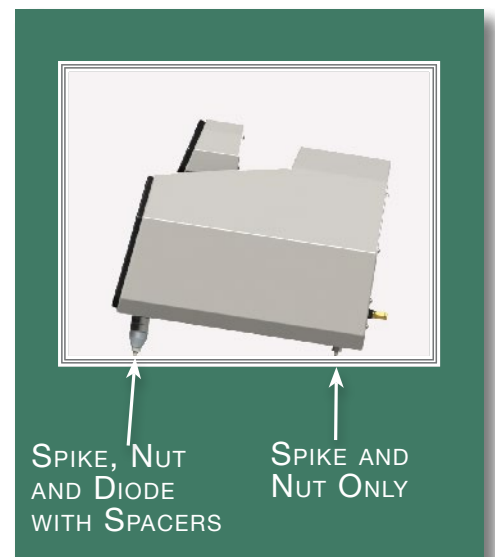
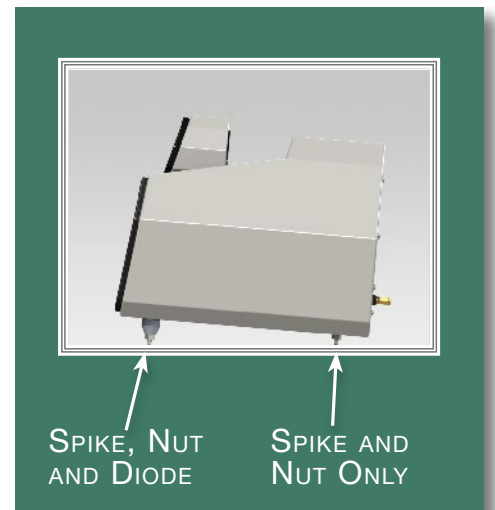
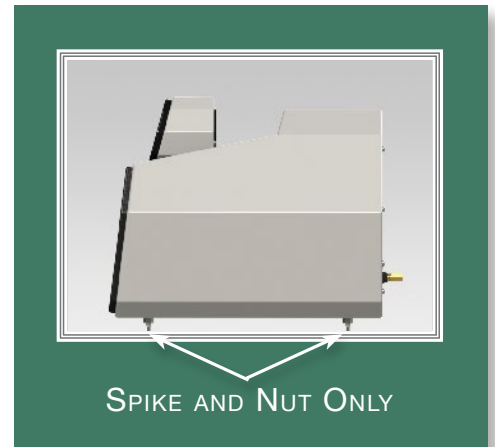


Table 2—For Placement on Stand (Series 3)

Center on Floor		Listening Distance				
		36 in	40 in	44 in	48 in	52 in
		91.5 cm	101.5 cm	112 cm	122 cm	132 cm
Ear Height						
60 in	152.5 cm	3 ‡	2.5 *	na	na	na
64 in	162.5 cm	4 ‡	4 *	1 *	na	na
68 in	172.5 cm	5 ‡	5 *	2.5 *	na	na
72 in	183 cm	3.5 †	3.5 ‡	3.5 *	1 *	na
76 in	193 cm	4.5 †	4.5 ‡	4.5 *	2.5 *	na
80 in	203 cm	5 †	3 †	3 ‡	3.5 *	1 *
84 in	213.5 cm	6 †	4 †	4 ‡	4 *	2 *
88 in	223.5 cm	6.5 †	4.5 †	4.5 ‡	3 ‡	3 *
92 in	233.5 cm	7 †	5 †	3 †	3.5 ‡	4 *
96 in	244 cm	7.5 †	5.5 †	4 †	4 ‡	5 *
100 in	254 cm	3	6 †	4.5 †	5 ‡	3 ‡
104 in	264 cm	3.5	7 †	5 †	3 †	4 ‡
108 in	274.5 cm	4	7 †	5.5 †	4 †	4.5 ‡
112 in	284.5 cm	4.5	3	6 †	4.5 †	3 †
116 in	294.5 cm	5	3	6.5 †	5 †	3.5 †
120 in	305 cm	5	3.5	7 †	5.5 †	4 †
124 in	315 cm	5.5	4	7.5 †	6 †	4.5 †
128 in	325 cm	6	4.5	3	6.5 †	5 †
132 in	335.5 cm	6	5	3	7 †	5.5 †
136 in	345.5 cm	6.5	5	3.5	7 †	6 †
140 in	355.5 cm	7	5.5	4	7.5 †	6 †
144 in	366 cm	7	6	4.5	3	6.5 †
148 in	376 cm	7.5	6	5	3.5	7 †
152 in	386 cm	7.5	6.5	5	4	7 †
156 in	396 cm	8	6.5	5.5	4	3
160 in	406.5 cm	8	7	5.5	4.5	3
164 in	416.5 cm	8.5	7	6	4.5	3.5
168 in	426.5 cm	8.5	7.5	6	5	3.5
172 in	437 cm	8.5	7.5	6.5	5	4

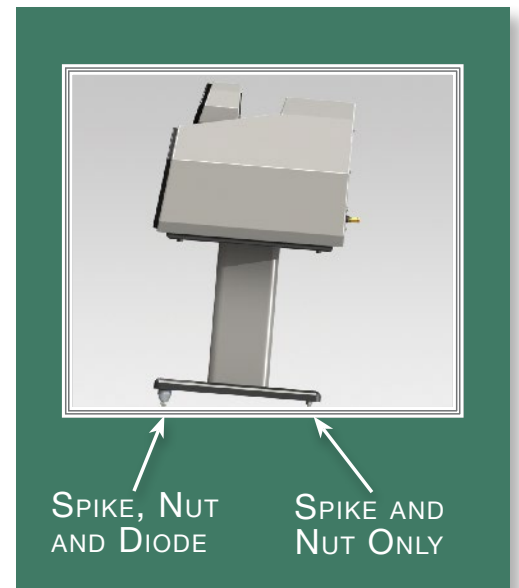


Table 3—For Placement on The Floor (Convergent Synergy)

Center 3 Convergent Synergy Time Alignment Charts					
Center on Floor					
Measured Ear Height (inches)					
	36	40	44	48	52
	2 †	1.5 *	na	na	na
	3 †	3 *	na	na	na
	4 †	4 *	1.5 *	na	na
	2.5 †	2.5 †	2.5 *	na	na
	3.5 †	3.5 †	3.5 *	1.5 *	na
	4 †	2 †	2 †	2.5 *	na
	5 †	3 †	3 †	3 *	1 *
	5.5 †	3.5 †	3.5 †	2 †	2 †
	6 †	4 †	2 †	2.5 †	3 †
	6.5 †	4.5 †	3 †	3 †	4 *
	2	5 †	3.5 †	4 †	2 †
	2.5	6 †	4 †	2 †	3 †
	3	6 †	4.5 †	3 †	3.5 †
	3.5	2	5 †	3.5 †	2 †
	4	2	5.5 †	4 †	2.5 †
	4	2.5	6 †	4.5 †	3 †
	4.5	3	6.5 †	5 †	3.5 †
	5	3.5	2	5.5 †	4 †
	5	4	2	6 †	4.5 †
	5.5	4	2.5	6 †	5 †
	6	4.5	3	6.5 †	5 †
	6	5	3.5	2	5.5 †
	6.5	5	4	2.5	6 †
	6.5	5.5	4	3	6 †
	7	5.5	4.5	3	2
	7	6	4.5	3.5	2
	7.5	6	5	3.5	2.5
	7.5	6.5	5	4	2.5
	7.5	6.5	5.5	4	3
	8	7	5.5	4.5	3
	8	7	6	4.5	3.5

† = Spike, Nut, and Diode

‡ = Spike, Nut, Diode, and One Spacer

* = Spike Nut Diode and Two Spacers

Table 4—For Placement on Stand (Convergent Synergy)

Center 3 Convergent Synergy Time Alignment Charts Center on Stand Measured Ear Height (inches)					
	36	40	44	48	52
60	5	6.5 †	3.5 †	1 †	na
64	5	2	4.5 †	2 †	na
68	6	3	5 †	3 †	na
72	6.5	4	6 †	3.5 †	1 †
76	7	4	2	4 †	2 †
80	7	5	2.5	5 †	3 †
84	8	5	3	6 †	3.5 †
88	8	6	3.5	6 †	4 †
92	8	6	4	2	5 †
96	8.5	6.5	4.5	2.5	5.5 †
100	9	7	5	3	6 †
104	9	7	5.5	3.5	6.5 †
108	9.5	7.5	6	4	2
112	9.5	8	6	4	2.5
116	10	8	6.5	5	3
120	10	8	6.5	5	3.5
124	10	9.5	7	5.5	4
128	10	9	7	5.5	4
132	10.5	9	7.5	6	4.5
136	10.5	9	7.5	6	5
140	10.5	9	8	6.5	5
144	11	9.5	8	7	5.5
148	11	9.5	8	7	5.5
152	11	10	8.5	7	6
156	11	10	8.5	7.5	6
160	11	10	9	7.5	6.5
164	11.5	10	9	8	6.5
168	11.5	10	9	8	7
172	11.5	10.5	9	8	7
176	11.5	10.5	9.5	8	7
180	12	10.5	9.5	8.5	7.5

† = Spike, Nut, and Diode

SECTION 11—CEILING MOUNT



This section is intended to provide you with the required information for the construction of a custom mounting bracket for your Center channel. It is important that this bracket be made as instructed so as to be strong enough to securely fasten the Center channel to the ceiling or wall. The requirements for the bracket are as follows:

Section 11.1—Ceiling Mounted Center Channel

A ceiling mounted Center channel will be mounted upside down (tweeter beneath the midrange drivers). It will also need to be rotated down towards the listening position. Due to the variation in mounting locations and ceiling heights we are unable to determine for you, based solely on listening distance and measured ear height, the amount of required rotation for your particular setup. However, we will offer some suggestions that will allow you to achieve the best performance possible for your particular speaker location. The guidelines are as follows:

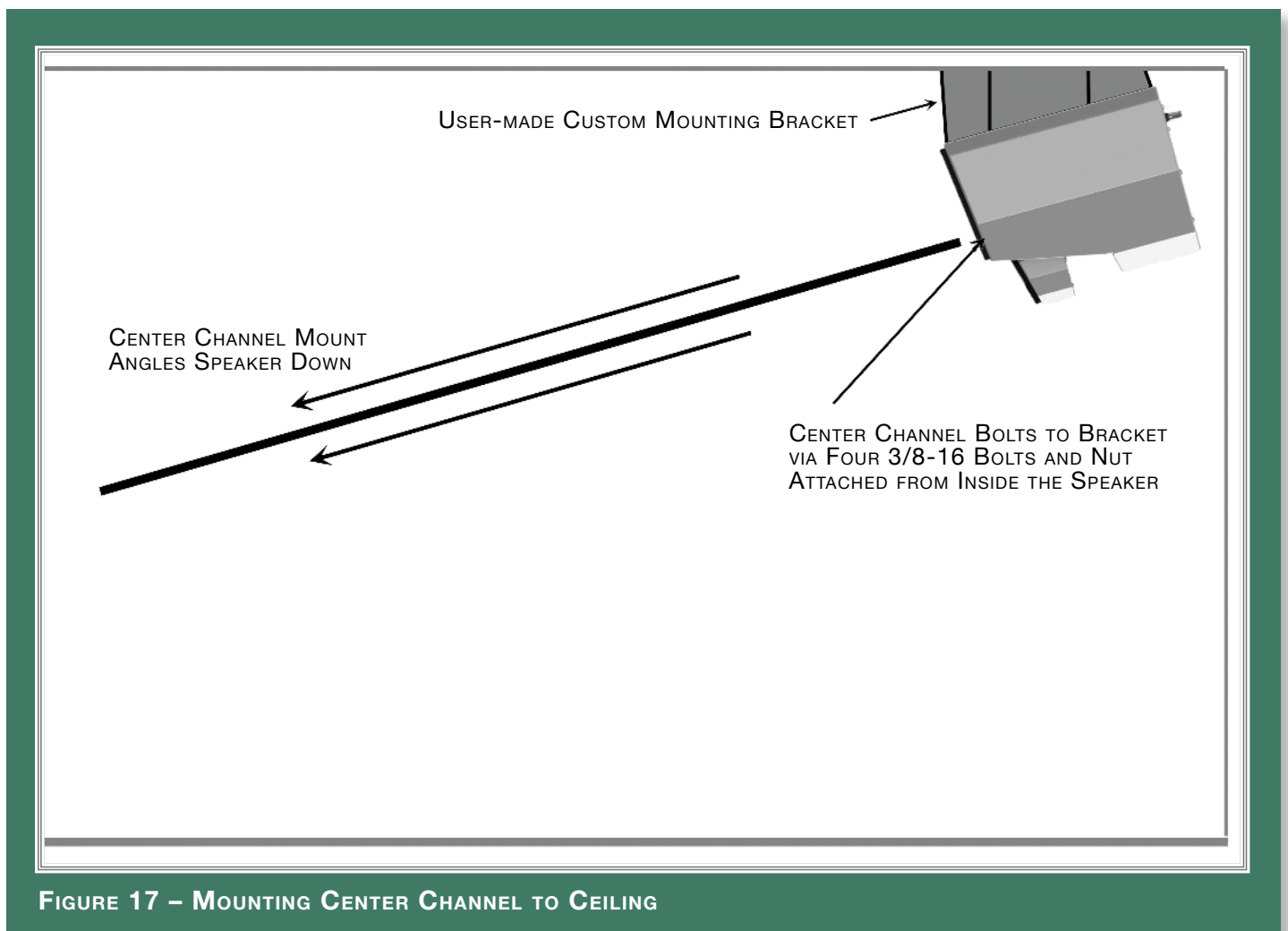
- The bracket must be able support 250 pounds. This is more than the weight of the Center channel, but it is necessary to maintain correct safety standards.
- The bracket should angle the speaker down towards the listening position. Ideally, the midrange drivers should be firing 15" below the listening ear height (see Figure 17).
- A good material for the bracket is 1" square tubing. This can be easily welded together and will provide a rigid, strong support for your Center channel.
- The slanted portion of the bracket will require mounting holes whose location match those on the bottom of the Center channel. The hole pattern is shown in Figure 18.

Once you have made the custom bracket, please refer to Section 4.7 for complete setup information.

Section 11.2—Mounting Center Channel above Screen

Mounting the Center channel above a TV requires a custom made bracket. This bracket will support the weight of the Center channel and allow it to be rotated toward the listening position (see Figure 17 below). This rotation will significantly improve the performance of your Center channel, improving system integration, phase delay correction, and providing a correct image height.

The custom made bracket must have 4 mounting holes as shown in Figure 18 (opposite page). These holes will allow the Center channel to be bolted to the mount. Make sure that the holes go all the way through the bracket and that the locations are such that they will allow a nut to be tightened to the bolt that is inserted through these holes.



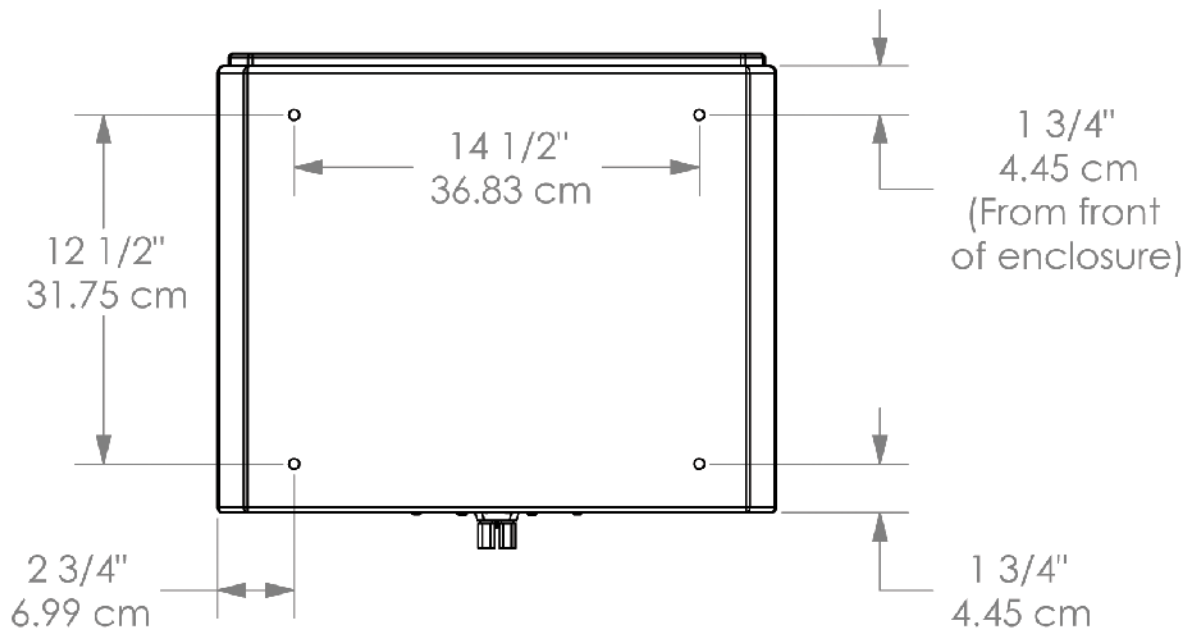


FIGURE 18 – CENTER MOUNTING HOLE LOCATIONS

The bracket must also rotate the Center channel towards the listening position. This can be achieved by making a bracket that is higher in the back than in the front. Because the rotation required for the Center channel depends on your listening position, speaker mount height, and listening ear height, we are unable to provide a table with all of the possible combinations. However, we offer the following rotational suggestions that will bring you very close to the ideal rotation (assuming a 5 foot mounting height).

Listening Distance Required Rotation

5-10 feet	25 degrees
10-15 feet	15 degrees
15-20 feet	10 degrees

Once you have made the custom bracket, please refer to Section 4.6 for complete setup information.

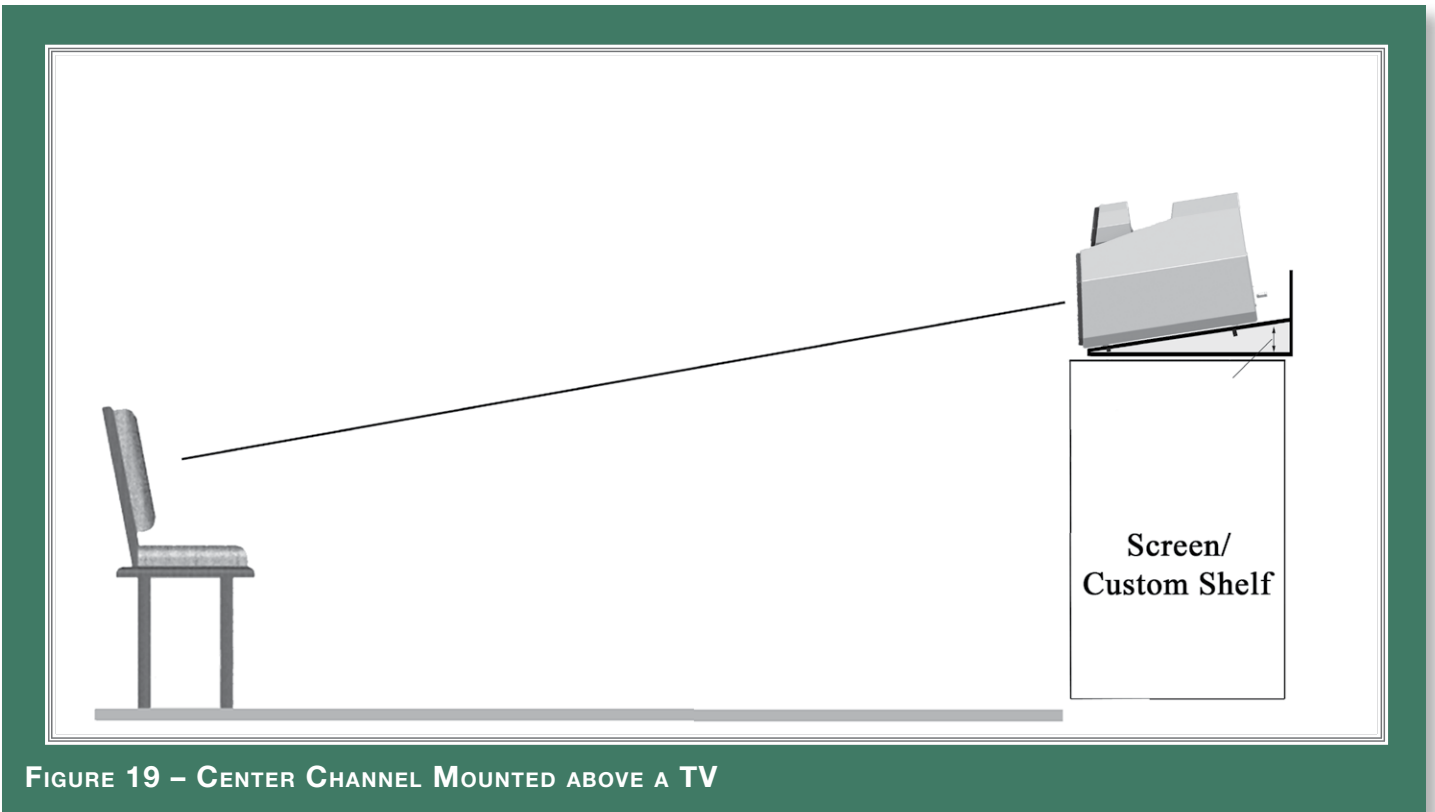


FIGURE 19 – CENTER CHANNEL MOUNTED ABOVE A TV

SECTION 12 — WARRANTY INFORMATION



Section 12.1—Warranty Information

Limited Warranty

Subject to the conditions set forth herein, Wilson Audio warrants its electronics to be free of manufacturing defects in material and workmanship for the Warranty Period. The Warranty Period is a period of 90 days from the date of purchase by the original purchaser, or if both of the following two requirements are met, the Warranty Period is a period of five (5) years from the date of purchase by the original purchaser:

Requirement No. 1: No later than 30 days after product delivery to the customer, the customer must have returned the Warranty Registration Form to Wilson Audio;

Requirement No. 2: The product must have been professionally installed by the Wilson Audio dealer that sold the product to the customer.

Failure to comply with either requirement no. 1 or requirement no. 2 will result in the warranty period being limited to a period of 90 days only.

Conditions

This Limited Warranty is also subject to the following conditions and limitations. The Limited Warranty is void and inapplicable if the product has been used or handled other than in accordance with the instructions in the owner's manual, or has been abused or misused, damaged by accident or neglect or in being transported, or if the product has been tampered with or service or repair of the product has been attempted or performed by anyone other than Wilson Audio, an authorized Wilson Audio Dealer Technician or a service or repair center authorized by Wilson Audio to service or repair the product. Contact Wilson Audio at (801) 377-2233 for information on location of Wilson Audio Dealers and authorized service and repair centers. Most repairs can be made in the field. In instances where return to Wilson Audio's factory is required, the dealer or customer must first obtain

a return authorization. Purchaser must pay for shipping to Wilson Audio, and Wilson Audio will pay for shipping of its choice to return the product to purchaser. **A returned product must be accompanied by a written description of the defect.** Wilson Audio reserves the right to modify the design of any product without obligation to purchasers of previously manufactured products and to change the prices or specifications of any product without notice or obligation to any person.

Remedy

In the event that the product fails to meet the above Limited Warranty and the conditions set forth herein have been met, the purchaser's sole remedy under this Limited Warranty shall be to: (1) contact an authorized Wilson Audio Dealer within the Warranty Period for service or repair of the product without charge for parts or labor, which service or repair, at the Dealer's option, shall take place either at the location where the product is installed or at the Dealer's place of business; or (2) if purchaser has timely sought service or repair and the product cannot be serviced or repaired by the Dealer, then purchaser may obtain a return authorization from Wilson Audio and at purchaser's expense return the product to Wilson Audio where the defect will be rectified without charge for parts or labor.

Warranty Limited to Original Purchaser

This Limited Warranty is for the sole benefit of the original purchaser of the covered product and shall not be transferred to a subsequent purchaser of the product, unless the product is purchased by the subsequent purchaser from an authorized Wilson Audio Dealer who has certified the product in accordance with Wilson Audio standards and requirements and the certification has been accepted by Wilson Audio, in which event the Limited Warranty for the product so purchased and certified shall expire at the end of the original Warranty Period applicable to the product.

Demonstration Equipment

Equipment, while used by an authorized dealer for demonstration purposes, is warranted to be free of manufacturing defects in materials and workmanship for a period of five (5) years from the date of shipment to the dealer. Demo equipment needing warranty service may be repaired on-site or, if necessary, correctly packed and returned to Wilson Audio by the dealer at dealer's sole expense. Wilson Audio will pay return freight of its choice. A returned product must be accompanied by a written description of the defect. Dealer owned demonstration equipment sold at retail within two (2) years of date of shipment to the dealer is warranted to the first retail customer to be free of manufacturing defects in materials and workmanship for the same time periods as if the product had originally been bought for immediate resale to the retail customer. Wilson Audio products are warranted for a period of 90 days, unless extended to 5 years, as provided above, by return and filing of completed Warranty Registration at Wilson Audio within 30 days after product delivery to customer and the product was professionally installed by the Wilson Audio Dealer that sold the product to the customer.

Miscellaneous

All express and implied warranties not provided for herein are hereby expressly disclaimed. Any legally imposed implied warranties relating to the product shall be limited to the duration of this limited warranty. This limited warranty does not extend to any incidental or consequential costs or damages to the purchaser.

Some states do not allow limitations on how long an implied warranty lasts or an exclusion or limitation of incidental or consequential damages, so the above limitations or exclusions may not apply to you. This Limited Warranty gives you specific legal rights, and you may also have other rights, which vary from state to state.